

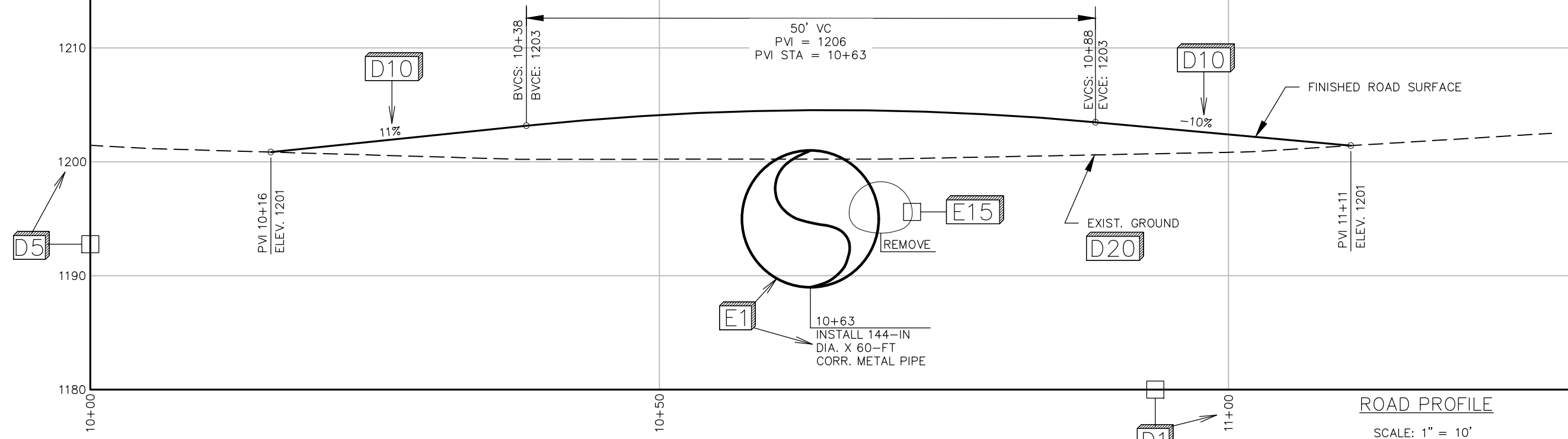
NO SLOPE CULVERT EXAMPLE
 NOVEMBER 1, 2017. DNR FOREST PRACTICES DIVISION

BY	DATE	REVISIONS
x	xx	xx/xx/xx xxxx xxxxxxxxxxxxxxxx

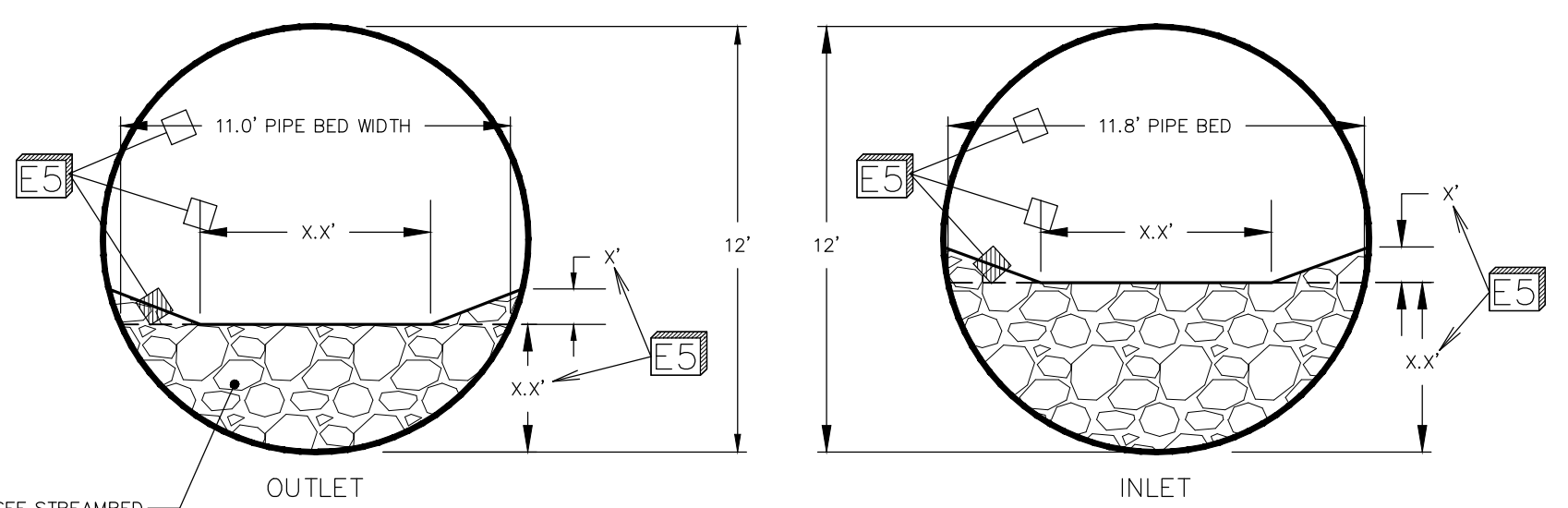
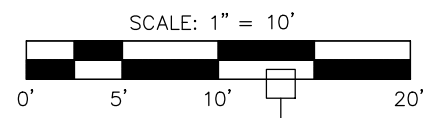
DRAWING TITLE: SITE PLAN
 LANDOWNER: XXXXXXXXXXXX

SEC. TOWNSHIP RANGE: SEC. XX TXN RXW
 LAT & LONG: NXX.XXXX° WXXX.XXXX°
 DATE: X/XX/XX

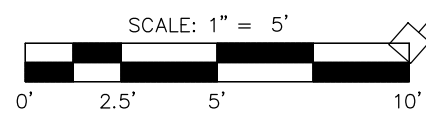
SHEET
 1
 OF
 3



ROAD PROFILE



CULVERT SECTIONS



STREAMBED MATERIAL TABLE

STREAMBED MATERIAL WILL BE A HOMOGENEOUS BLEND OF THE FOLLOWING:

- ① 8-INCH MINUS PIT RUN. SOURCE: 1025 RD PIT.
- ② BOULDERS: SIZE 14" TO 20" IF ANGULAR. 18" TO 24" IF SUB-ANGULAR OR ROUNDED. QUANTITY: 25% TOTAL STREAMBED MATERIAL VOLUME.

NO SLOPE CULVERT EXAMPLE

NOVEMBER 1, 2017. DNR FOREST PRACTICES DIVISION

BY	DATE	REVISIONS
X	XX	XX/XX/XX
		XXXX XXXXXXXXXXXXXXXXX

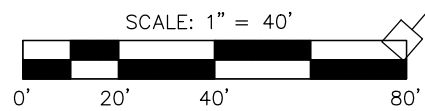
DRAWING TITLE: **ROAD PROFILE**

LANDOWNER: **XXXXXXXXXXXX**

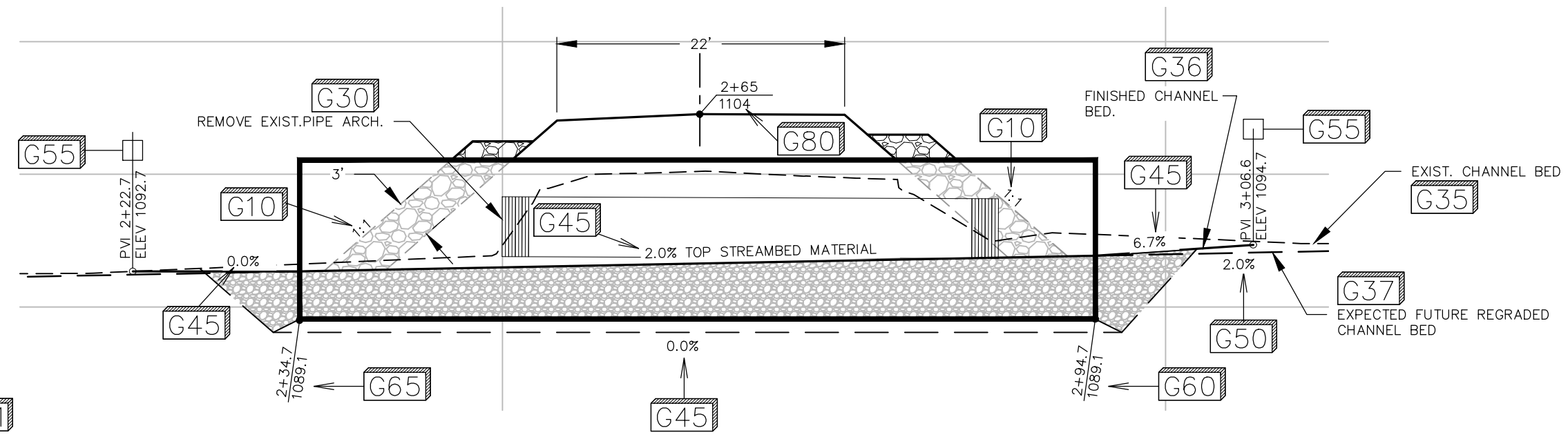
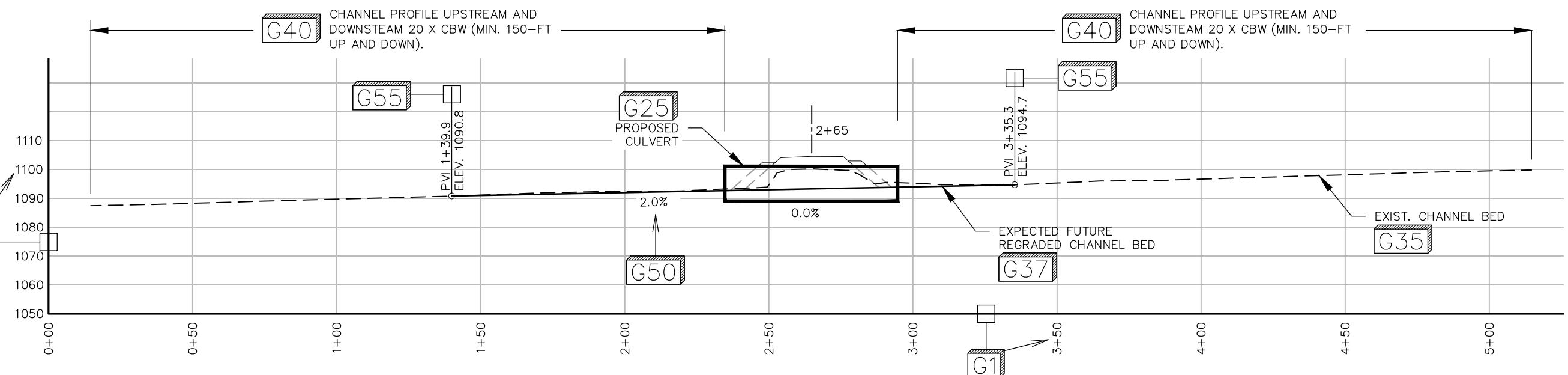
DATE: **X/XX/XX**

SHEET
2
OF
3

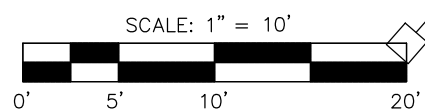
CHANNEL PROFILE



B1



CULVERT PROFILE



B1

NO SLOPE CULVERT EXAMPLE

NOVEMBER 1, 2017. DNR FOREST PRACTICES DIVISION

BY	DATE	REVISIONS
X	XX	XX/XX/XX
		XXXX XXXXXXXXXXXXXXXXX

DRAWING TITLE: CHANNEL PROFILE B5
 LANDOWNER: XXXXXXXXXXXXX B10

DATE: X/XX/XX B20

SHEET
3
OF
3

B35