

DEPARTMENT OF NATURAL RESOURCES

WASHINGTON TIMBER HARVEST 2001



WASHINGTON STATE DEPARTMENT OF
Natural Resources
Doug Sutherland - Commissioner of Public Lands

Acknowledgments

Appreciation is extended to everyone whose cooperation made this report possible. The timber harvests for forest industry and other private timberlands (excluding Native American) were provided by the Washington State Department of Revenue (DoR). State designated timber harvests reported for state-owned lands managed for trusts were from the Department of Natural Resources (DNR). Federal agencies which reported harvests were the USDA Forest Service, U.S. Bureau of Indian Affairs (BIA), the U.S. Army and the U.S. Navy. Other public owners included city, county, and state agencies. The Makah and Quinault Native American Nations provided timber harvest data for their respective tribal lands.

This report was prepared by the Natural Resource Economists Group of the Office of Budget and Economics of the Department of Natural Resources. Dr. Bruce Glass, Economics Team Leader, was very helpful with his insightful observations of several draft copies. Computer support was provided by Dale Christensen of the agency's Information Technology Division. The state map showing counties and the two regions of the state was courtesy of Sandi McAuliffe, Engineering Division.

The contribution of Billie Lynn Wyckoff of the Office of Budget & Economics to this edition of the 2001 Washington Timber Harvest Report deserves our sincere thanks. Billie Lynn laid out the report in desktop publishing format and patiently and carefully edited the text tables, and graphs upon which readers depend so heavily. Credit for the cover design also goes to Billie Lynn.

Public inquires about timber harvests are welcomed. Please address requests regarding this report to:

David Larsen
Office of Budget and Economics
Department of Natural Resources
P.O. Box 47041
Olympia, WA 98504-7041

Phone: (360) 902-1699

FAX: (360) 902-1780

E-mail: dave.larsen@wadnr.gov

Web Site: <http://www.wadnr.gov/htdocs/obe/OBEHOME4.htm>

Persons needing this information
in an alternate format may call
(360) 705-0582 or TTY (360) 902-1125

Washington Timber Harvest - 2001

by
David N. Larsen
Economist
and
Quynh Nguyen
Economic Analyst

August 2003

Washington State Department of
NATURAL RESOURCES

Doug Sutherland - Commissioner of Public Lands

Foreword

This is the 53rd consecutive annual Washington Timber Harvest Report in a publication series which began with the 1949 timber harvest data. The State Division of Forestry, Department of Conservation and Development, was responsible for reporting these data prior to the creation of the Department of Natural Resources (DNR) in 1957. The DNR first published the harvest report for the year 1957.

Over the years, the timber harvest reporting process has been adjusted as the means of collecting data have changed. In recent years it has become impossible to accurately report acres harvested from most landowner groups. Therefore, in 1987 the decision was made to drop acres from the timber harvest publications. Acres of timberlands harvested were last included in the "1986 Washington Timber Harvest Report."

Many private timber harvesters are not recording the timberland owner's class on their Forest Excise Tax returns. As a result, for 2001, 859.9 million board feet of 2.79 billion board feet of private timber harvest was harvested on unknown private ownerships, i.e., this harvest was not classified as Forest Industry, Private Large, or Private Small. A description of how these data were handled is described in the "Data Adjustments" section of the text which begins on page 5.

Harvests reported to the Department of Revenue as tonnage (a weight-based measure) were converted to thousands of board feet (MBF) Scribner rule using the conversion factors outlined on page 2.

Beginning in 1992, DNR shifted primarily to selling lump-sum timber sales and as a consequence discontinued providing harvest volumes by species. The procedure used to estimate the distribution of the harvest volume by species is described on page 7 in the "Data Adjustments" section.

Table of Contents

SUMMARY

Acknowledgments	Inside front cover
Foreword	ii
Introduction	1
Organization of Data	1
Data Adjustments	5

LIST OF FIGURES

Figure	1	Western and Eastern Washington Showing County Boundaries	11
Figure	2	Statewide and Region Harvests by Decade 1870 - 1990s	12
Figure	3	Statewide and Region Harvests 1900 - 2001	13
Figure	4	Statewide Harvests Private, National Forest and Other Public 1950-2000	14
Figure	5	Washington Harvests by Region 1869 - 2001	15
Figure	6	Washington Harvests by Species 1869 - 2001	15
Figure	7	Statewide Harvests by Ownerships 1950-2001	17
Figure	8	Eastern Washington Harvests by Ownerships 1950 - 2001	19
Figure	9	Western Washington Harvests by Ownerships 1950 - 2001	21
Figure	10	Statewide Washington Harvests by Species 1900-2001	23
Figure	11	Eastern Washington Harvests by Species 1900-2001	25
Figure	12	Western Washington Harvests by Species 1900-2001	27

LIST OF TABLES

Statewide Washington Timber Harvests by Ownerships 1985 -2001	16
Eastern Washington Timber Harvests by Ownerships 1985 - 2001	18
Western Washington Timber Harvests by Ownerships 1985 - 2001	20
Statewide Washington Timber Harvests by Species 1985 - 2001	22
Eastern Washington Harvests by Species 1985 - 2001	24
Western Washington Harvests by Species 1985 - 2001	26
Timber Harvest Summary, All Ownerships by County 2001	30

County and Regional Summary Tables — 2001

EASTERN WASHINGTON

(by County)

Asotin	32
Chelan	33
Columbia	34
Douglas	35
Ferry	36
Garfield	37
Kittitas	38
Klickitat	39
Lincoln	40
Okanogan	41
Pend Oreille	42
Spokane	43
Stevens	44
Walla Walla	45
Whitman	46
Yakima	47
Eastside Summary	48

WESTERN WASHINGTON

(by County)

Clallam	49
Clark	50
Cowlitz	51
Grays Harbor	52
Island	53
Jefferson	54
King	55
Kitsap	56
Lewis	57
Mason	58
Pacific	59
Pierce	60
San Juan	61
Skagit	62
Skamania	63
Snohomish	64
Thurston	65
Wahkiakum	66
Whatcom	67
Westside Summary	68

Introduction

The Timber Harvest Report provides an annual historical record of timber harvest activities by county, ownership class and species. Along with previous harvest reports, it reflects harvest trends over time. The Timber Harvest report is provided as a public service under authority of RCW 43.30.135.

This timber harvest report is formatted in the same manner as has been used beginning with the timber harvest report for 1996. Please note that the tribal timberlands, referred to as "Native American," are included as a category of private timberlands. This was done to be consistent with the latest federal Washington forests report titled "Washington's Public and Private Forests," Resource Bulletin PNW-RB-218. This report was published in January, 1997 with data for 1992 by the USDA Forest Service, Pacific Northwest Research Station, Portland, Oregon.

Another change implemented in the 1996 timber harvest report is that the four product class categories: "Old Growth," "Young Growth," "Cull/Utility," and "Salvage" are no longer included. This change was made because the data are often not reported using these four harvest categories and therefore it is impossible to accurately place information within the four product classes.

Organization of Data

Timber harvest volumes are listed by county and displayed by ownership class and species.

OWNERSHIP

Timber harvests from private timberlands are included within four owner classes: Native American, Forest Industry, Private Large, and Private Small.

Native American¹ — Tribal and allotted lands held in trust by the federal government. Most of the data were provided by the U.S. Bureau of Indian Affairs, but some tribes manage their own timberland ownerships and reported the harvest volumes from their tribal lands.

Volumes for the Native American (formerly BIA) owner class are reported for the federal fiscal year which runs from October 1st through September 30th of the following calendar year. The tribal data have been consistently reported in this way beginning with the 1977 timber harvest report. Harvest data for the other seven owner classes are all reported in terms of the calendar year (January through December).

The Department of Revenue, using forest excise tax returns, supplied the timber harvest data for Forest Industry, Private Large and Private Small timberland owners. These three private forest ownership categories are defined as follows:

¹ The ownership category "Native American" has been included as a private ownership category since 1996. Previously it was included as a public owner class as "BIA" (Bureau of Indian Affairs).

Forest Industry — Companies and individuals operating wood-using plants.

Private Large — Nonindustrial companies and individuals not operating wood-using plants but with statewide holdings totaling 1,000 or more acres.

Private Small — Nonindustrial companies and individuals not operating wood-using plants and having statewide holdings totaling less than 1,000 acres.

Public timberlands are classified into four categories as follows:

State — The designation used to report harvests from state-owned lands managed by the Department of Natural Resources for various trust beneficiaries. The data source was DNR's Product Sales & Leasing Division. Although the State's fiscal year runs July 1 through June 30 of the following calendar year, the State harvest is reported in the 2001 timber harvest report for the period from January 1 through December 31, 2001.

Other Non-federal — These are public lands owned by cities, counties, public utility districts, and state agencies other than state-owned lands managed by DNR. Questionnaires were mailed to the various agencies requesting calendar year timber harvests.

National Forest — The federal harvest from lands managed by the U.S. Department of Agriculture, Forest Service. The data source is the USDA Forest Service, Region 6 Office, Portland, Oregon. Quarterly data were provided so that the timber harvest could be aggregated on a calendar year basis. Therefore, National Forest harvest for 2001 is for January 1 through December 31, 2001.

Other Federal — These are various other federal agencies (including the military) which sold timber for industrial use. Questionnaires were mailed to the various agencies requesting the calendar year timber harvests.

COUNTIES

There are 39 counties in Washington State. Timber harvests were reported in all 19 western Washington counties and 16 of the 20 eastern Washington counties. No timber harvests were reported for Adams, Benton, Franklin and Grant counties which are located in the Columbia River Basin of eastern Washington. See Figure 1 on page 11 for county locations.

VOLUME

Timber volume data are in thousand board feet (MBF), Scribner rule. Some volume may be based on cruised volume rather than scale of volume removed. Tonnage (a weight-based measure) is included as a portion of the harvest from the Forest Industry and both Private Large and Private Small lands, but is converted to Scribner thousand board feet (MBF) using conversion factors as follows:

Chipwood...	9 tons being equivalent to one MBF, and for
Small logs (Eastside)...	6.5 tons being equivalent to one MBF.

The conversion factors are for green timber and are the ones provided by the Department of Revenue. The tons harvested in 2001, when converted, totaled 307,908 MBF. A total of 11 percent of the statewide 2001 private timber harvest from Forest Industry, Private Large, and Private Small timberlands (in terms of the Scribner scale used in this report) was comprised of the converted tonnage provided by the Department of Revenue². Native American harvests are not included in the DoR data.

Those owners classified as Private Small may use the Department of Revenue short report form. Under the short form of reporting, all volumes are reported as "Conifer" and/or "Hardwoods." Therefore, the short form Private Small harvest volumes reported by specific species may be lower than the actual harvest by specific species, but the total harvest will be correct. On the individual county and Eastside and Westside summary tables an asterisk (*) identifies where this distribution of the Private Small harvests impacted the reported volumes.

SPECIES³

Eastern Washington softwood species reported: Douglas-fir, true firs (grand, noble, Pacific silver, and subalpine), larch (subalpine and western), ponderosa pine, other pines (lodgepole, western white, and whitebark), and other conifers (Alaska-cedar, Engelmann spruce, mountain hemlock, western hemlock and western redcedar).

Eastern Washington hardwoods are labeled as "other hardwoods" (bigleaf maple, black cottonwood, quaking aspen, red alder, western paper birch, white alder and willow).

Western Washington softwood species reported: Douglas-fir, western hemlock (including mountain hemlock), cedars (Alaska-cedar and Western redcedar), true firs (grand, noble, Pacific silver, and subalpine), and other conifers (Engelmann spruce, lodgepole pine, Pacific yew, ponderosa pine, Sitka spruce, western juniper, western larch, western white pine, and whitebark pine).

Hardwood species reported for western Washington include red alder and other hardwoods (bigleaf maple, bitter cherry, black cottonwood, Pacific madrone, Oregon ash, Oregon white oak, Pacific dogwood, quaking aspen, western paper birch and willow).

Listed on the following page are common and scientific names of most forest tree species growing in Washington.

² Department of Revenue. Forest Tax County Summary for - Private Harvest Stats - Calendar 2001. Report B036FE. Run date 06/03/2002.

³ Species' categories listed in the county and region tables are underlined in the text. Where more than one species may be included within a category the individual species are listed in parentheses.

COMMON NAME**SCIENTIFIC NAME** ⁴**Softwoods:**

Alaska-cedar	<i>Chamaecyparis nootkatensis</i> (D. Don) Spach
Douglas-fir	<i>Pseudotsuga menziesii</i> (Mirb.) Franco
Engelmann spruce	<i>Picea engelmannii</i> Parry ex Engelm.
Grand fir	<i>Abies grandis</i> (Dougl. ex D. Don) Lindl.
Lodgepole pine	<i>Pinus contorta</i> Dougl. ex Loud. var <i>latifolia</i> Engelm.
Mountain hemlock	<i>Tsuga mertensiana</i> (Bong.) Carr.
Noble fir	<i>Abies procera</i> Rehd.
Pacific silver fir	<i>Abies amabilis</i> Dougl. ex Forbes
Pacific yew	<i>Taxus brevifolia</i> Nutt.
Ponderosa pine	<i>Pinus ponderosa</i> Dougl. ex Laws.
Sitka spruce	<i>Picea sitchensis</i> (Bong.) Carr.
Subalpine fir	<i>Abies lasiocarpa</i> (Hook.) Nutt.
Subalpine larch	<i>Larix lyallii</i> Parl.
Western hemlock	<i>Tsuga heterophylla</i> (Raf.) Sarg.
Western juniper	<i>Juniperus occidentalis</i> Hook.
Western larch	<i>Larix occidentalis</i> Nutt.
Western redcedar	<i>Thuja plicata</i> Donn ex D. Don
Western white pine	<i>Pinus monticola</i> Dougl. ex D. Don
Whitebark pine	<i>Pinus albicaulis</i> Engelm.

Hardwoods:

Bigleaf maple	<i>Acer macrophyllum</i> Pursh
Bitter cherry	<i>Prunus emarginata</i> Dougl. ex Eaton
Black cottonwood	<i>Populus trichocarpa</i> Torr. & Gray
Oregon ash	<i>Fraxinus latifolia</i> Benth.
Oregon white oak	<i>Quercus garryana</i> Dougl. ex Hook.
Pacific dogwood	<i>Cornus nuttallii</i> Audubon
Pacific madrone	<i>Arbutus menziesii</i> Pursh
Quaking aspen	<i>Populus tremuloides</i> Michx.
Red alder	<i>Alnus rubra</i> Bong.
Western paper birch	<i>Betula papyrifera</i> var. <i>commutata</i> (Regel) Fern.
White alder	<i>Alnus rhombifolia</i> Nutt.
Willow	<i>Salix</i> spp.

Data Adjustments

Private timber harvesters recorded on their Forest Excise Tax returns the timberland owner classes (Forest Industry, Private Large, or Private Small) for 1,931,309 MBF of the 2,791,230 MBF of timber harvested from these private lands. For 2001, 859,921 MBF of private timber harvest was harvested on unknown private ownerships. The allocation of this 859,921 MBF to the three private owner classes is described below. Efforts were made to make this allocation an objective process by consulting past timber harvest reports and using timberland ownership information.

Eastern Washington "Unknown Owner" Volume Distributions

County	Forest Industry	Private Large	Private Small	TOTAL
Asotin	0	0	0	0
Chelan	0	0	0	0
Columbia	0	0	0	0
Douglas	0	0	0	0
Ferry	2,928	0	0	2,928
Garfield	122	0	122	244
Kittitas	8,450	0	29,023	37,473
Klickitat	8,454	0	18,281	26,735
Lincoln	0	0	0	0
Okanogan	731	0	0	731
Pend Oreille	4,863	0	0	4,863
Spokane	831	832	0	1,663
Stevens	0	0	21,624	21,624
Walla Walla	3,142	0	0	3,142
Whitman	0	0	0	0
Yakima	3,073	0	2,049	5,122
TOTAL	32,594	832	71,099	104,525

In eastern Washington 441,138 MBF of private timber harvest was recorded on Forest Excise Tax returns. Of this volume, 104,525 MBF (23.7 percent) was not reported by owner class and was in aggregate distributed approximately 31 percent to Forest Industry, 1 percent to Private Large and 68 percent to Private Small.

No adjustments were made in the following eastern Washington timber harvesting counties: Asotin, Chelan, Columbia, Douglas, Lincoln and Whitman. In Ferry, Okanogan, Pend Oreille and Walla Walla counties all of the unknown owner volume was placed in the Forest Industry category. In Stevens County all of the unknown owner volume was placed in the Private Small Category.

In western Washington there were 2,350,092 MBF of private timber harvest reported on Forest Excise Tax returns. Of this volume, 755,396 MBF (32 percent) was not reported by owner class and was in aggregate distributed 62.7 percent to Forest Industry, 10.1 percent to Private Large and 27.2 percent to Private Small.

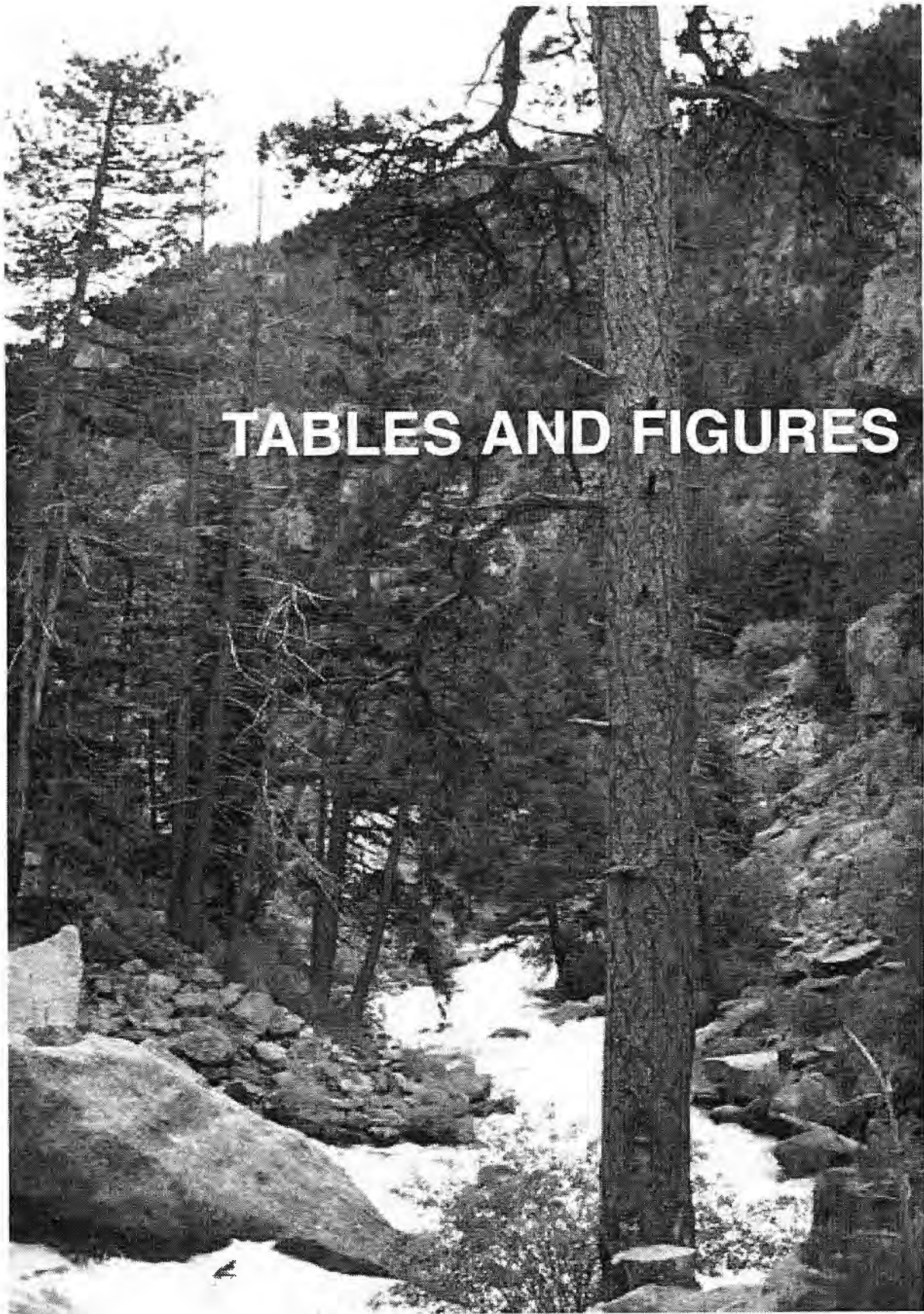
There were some allocations which did not approximate the generalized allocation mentioned above, and these differences are noted as follows. For Island County all harvest volume was reported as Private Small so no unknown volume needed to be allocated. For Clark, Cowlitz and San Juan counties all unknown volume was assigned to Private Small. For Clark, Cowlitz, Island, Jefferson, Pacific, Pierce, San Juan, Skamania, Snohomish and Wahkiakum counties no unknown volume was assigned to Private Large. For Clallam, Island, Jefferson and Wahkiakum counties no unknown volume was allocated to Private Small. For Jefferson and Wahkiakum counties all volume was assigned to Forest Industry. However, the harvest distributions by species were used as reported to the Department of Revenue.

Western Washington "Unknown Owner" Volume Distributions

County	Forest Industry	Private Large	Private Small	TOTAL
Clallam	71,248	23,770	0	95,018
Clark	0	0	17	17
Cowlitz	0	0	3,732	3,732
Grays Harbor	62,370	9,595	47,979	119,944
Island	0	0	0	0
Jefferson	15,691	0	0	15,691
King	11,966	5,983	13,540	31,489
Kitsap	1,175	375	10,181	11,731
Lewis	34,225	20,715	35,126	90,066
Mason	64,386	6,026	25,258	95,670
Pacific	39,765	0	5,577	45,342
Pierce	80,530	0	33,536	114,066
San Juan	0	0	6	6
Skagit	33,692	7,147	10,210	51,049
Skamania	5,030	0	3,082	8,112
Snohomish	20,967	0	4,115	25,082
Thurston	11,341	1,321	4,065	16,727
Wahkiakum	6,964	0	0	6,964
Whatcom	14,320	1,259	9,111	24,690
TOTAL	473,670	76,191	205,535	755,396

Because the Department of Natural Resources (the state owner class) now sells primarily lump-sum timber sales, DNR timber harvests by species are estimates based on DNR timber sales summary information. Estimates of harvest activities by species were made by consulting the DNR's "Timber Sales Statewide Summary Report," "Western Washington Board Sales" and "Eastern Washington Board Sales" reports listing aggregate annual sales volumes by species.





TABLES AND FIGURES



Figure 1. Western and Eastern Washington Showing County Boundaries

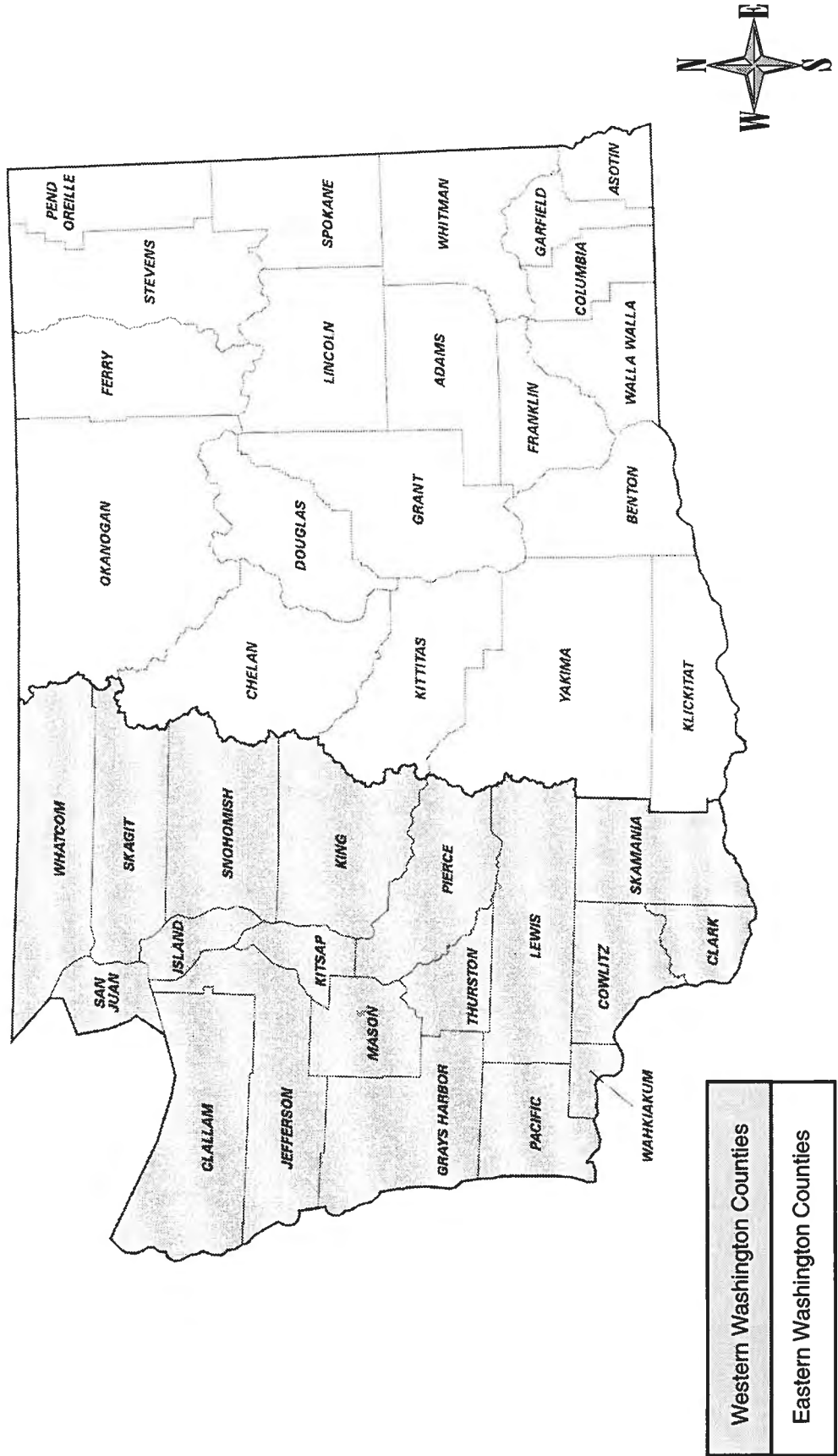
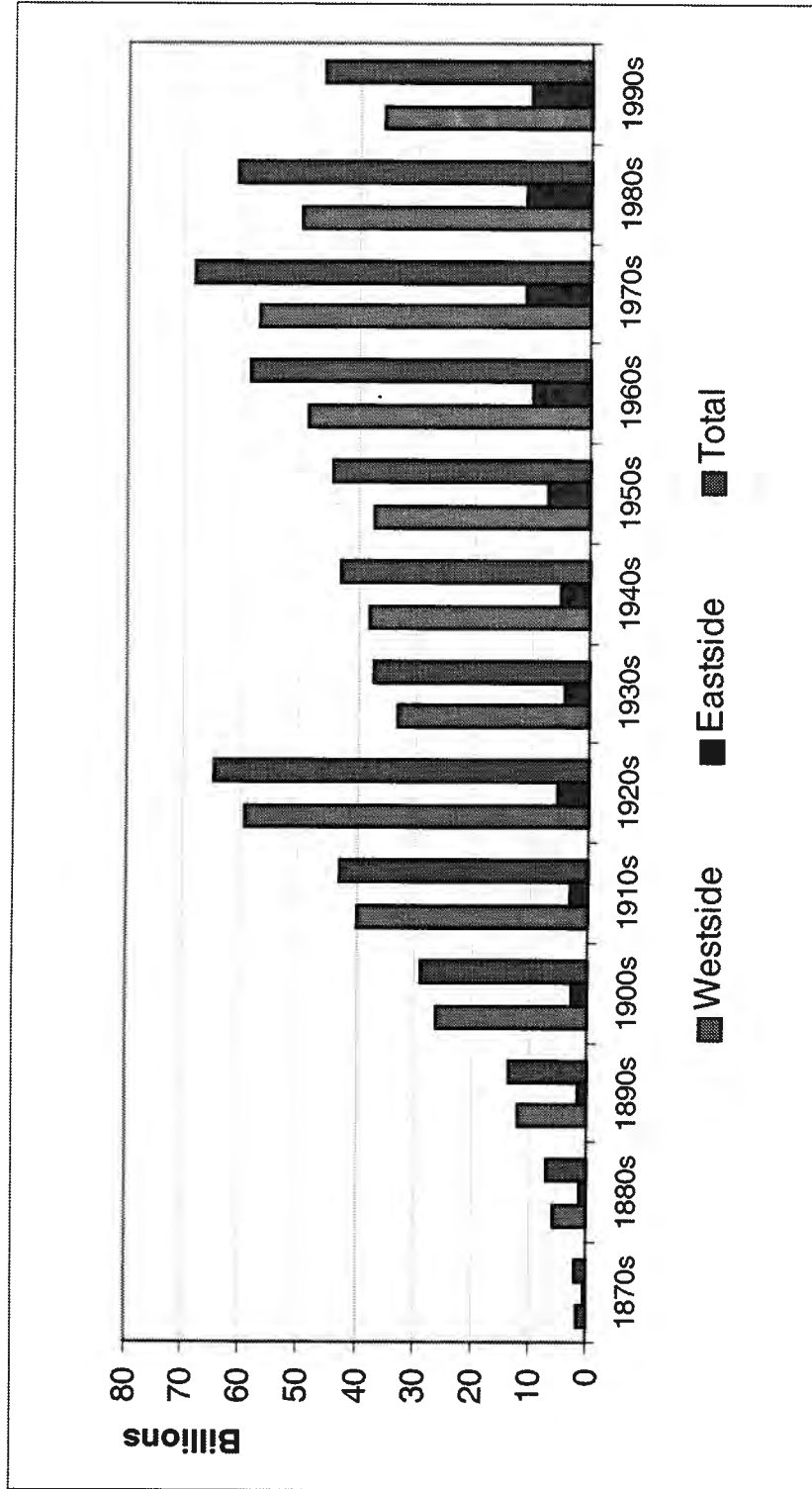


Figure 2. **Statewide and Region Harvests by Decade 1870-1999**

Billion board feet, Scribner rule



**Figure 3. Statewide and Region Harvests
1900 - 2001**

Billion board feet, Scribner rule

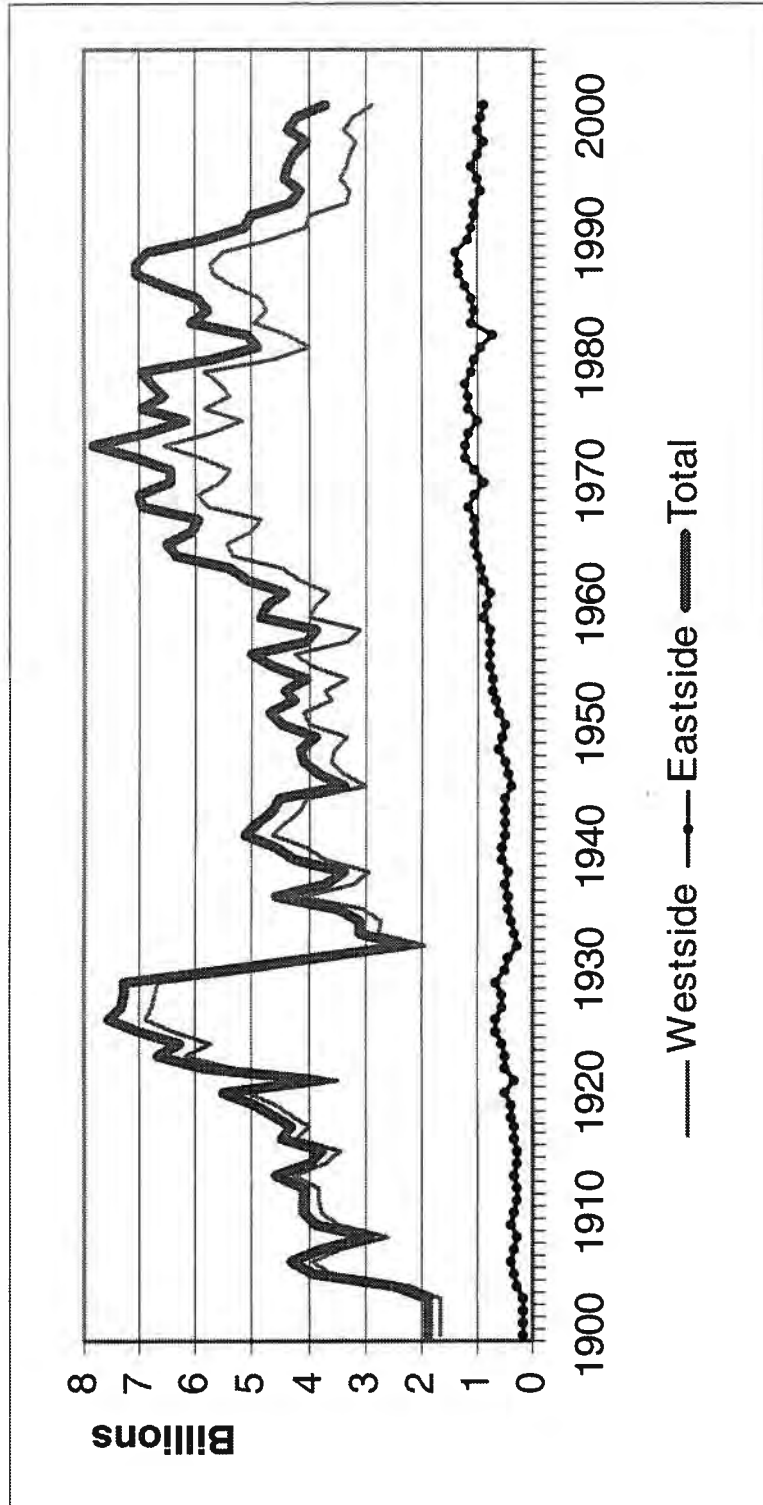
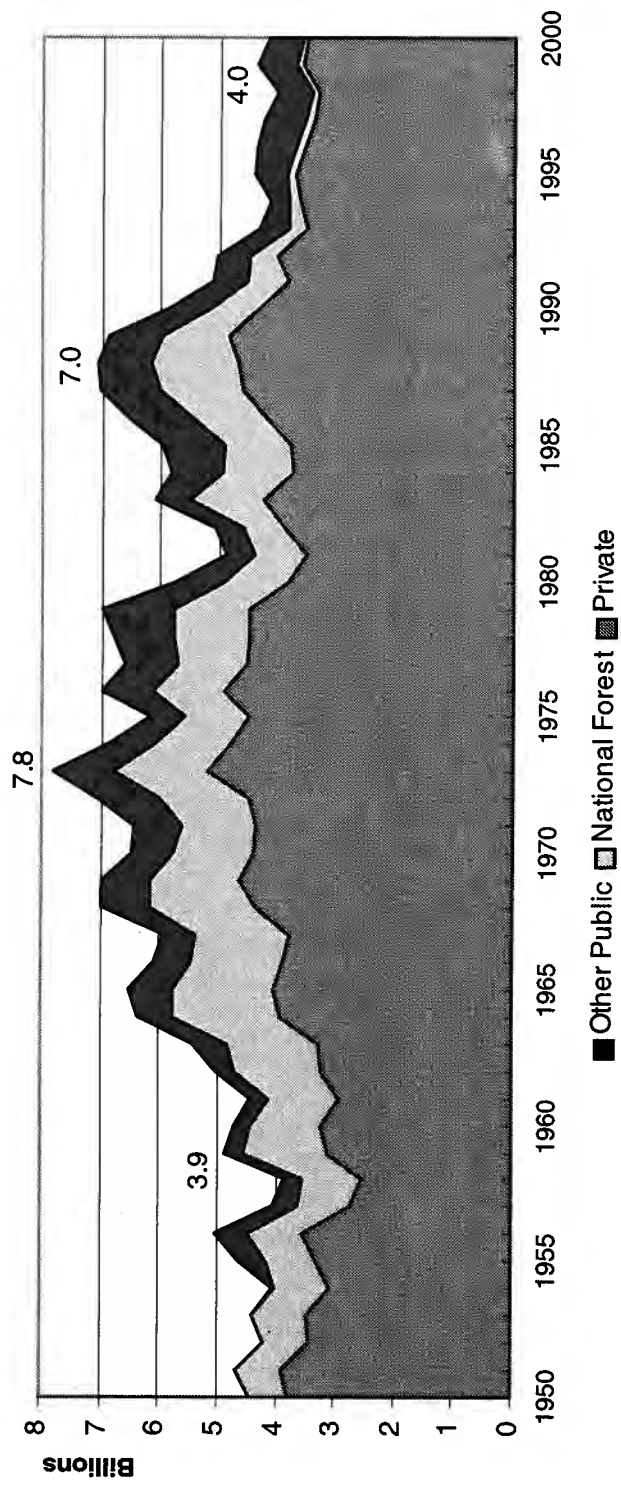


Figure 4. Statewide Harvests
Private, National Forest and Other Public
1950 - 2000
 Billion board feet, Scribner rule



Note: Native American timber harvests are included as part of the private harvest.

Figure 5. Washington Harvests by Region
1869 - 2001

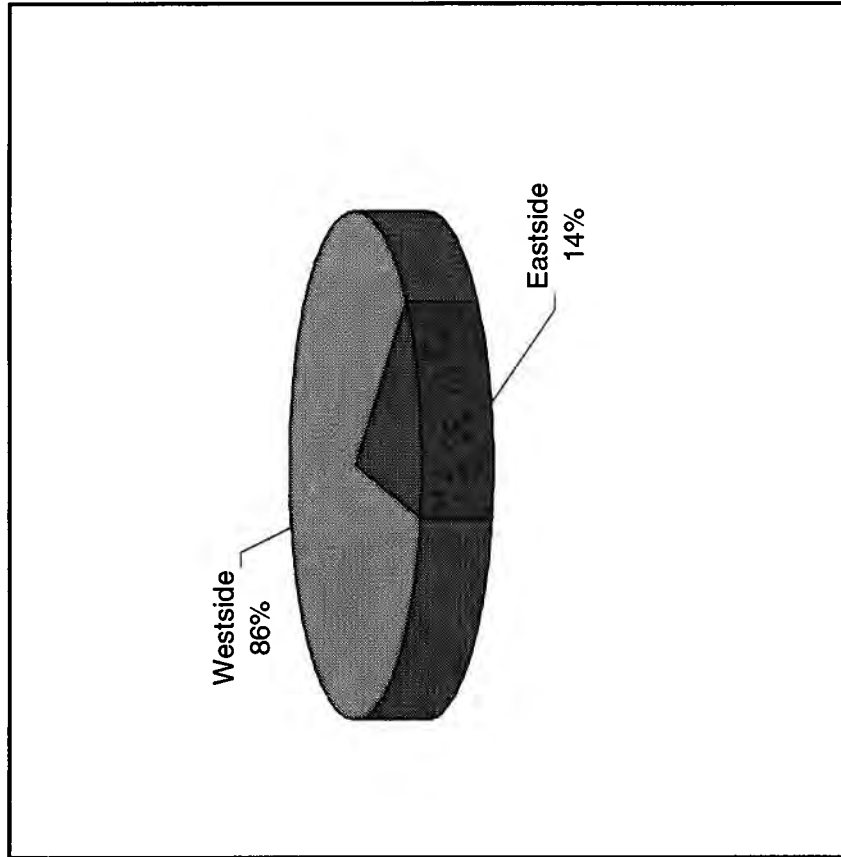
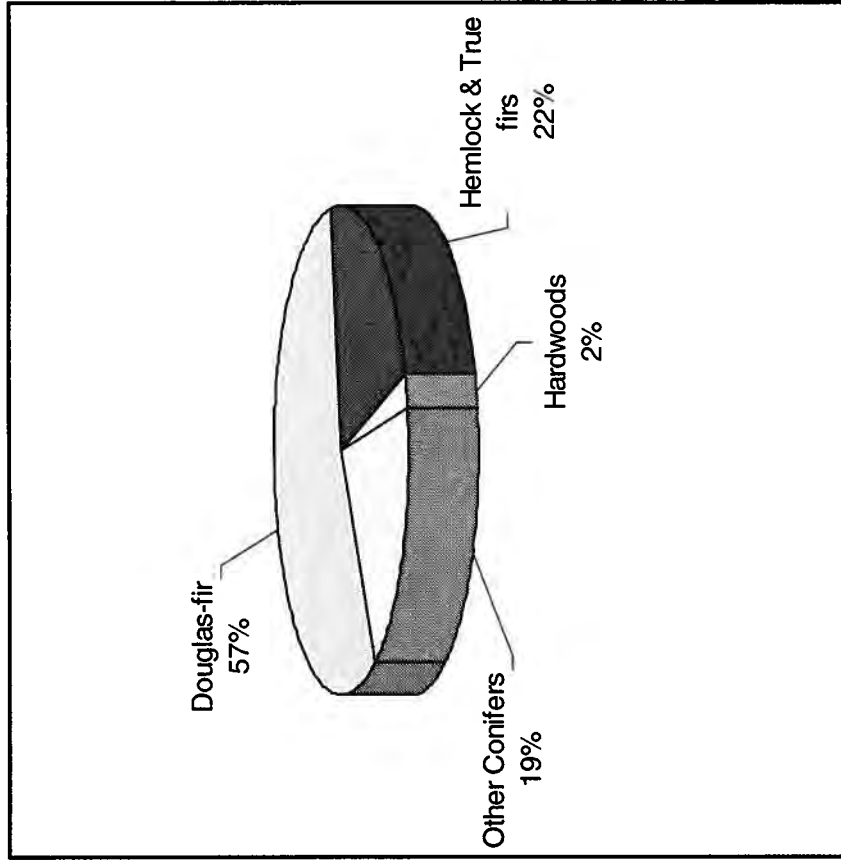


Figure 6. Washington Harvests by Species
1869 - 2001



Statewide Washington Timber Harvests by Ownerships

1985 - 2001

Thousand board feet, Scribner rule

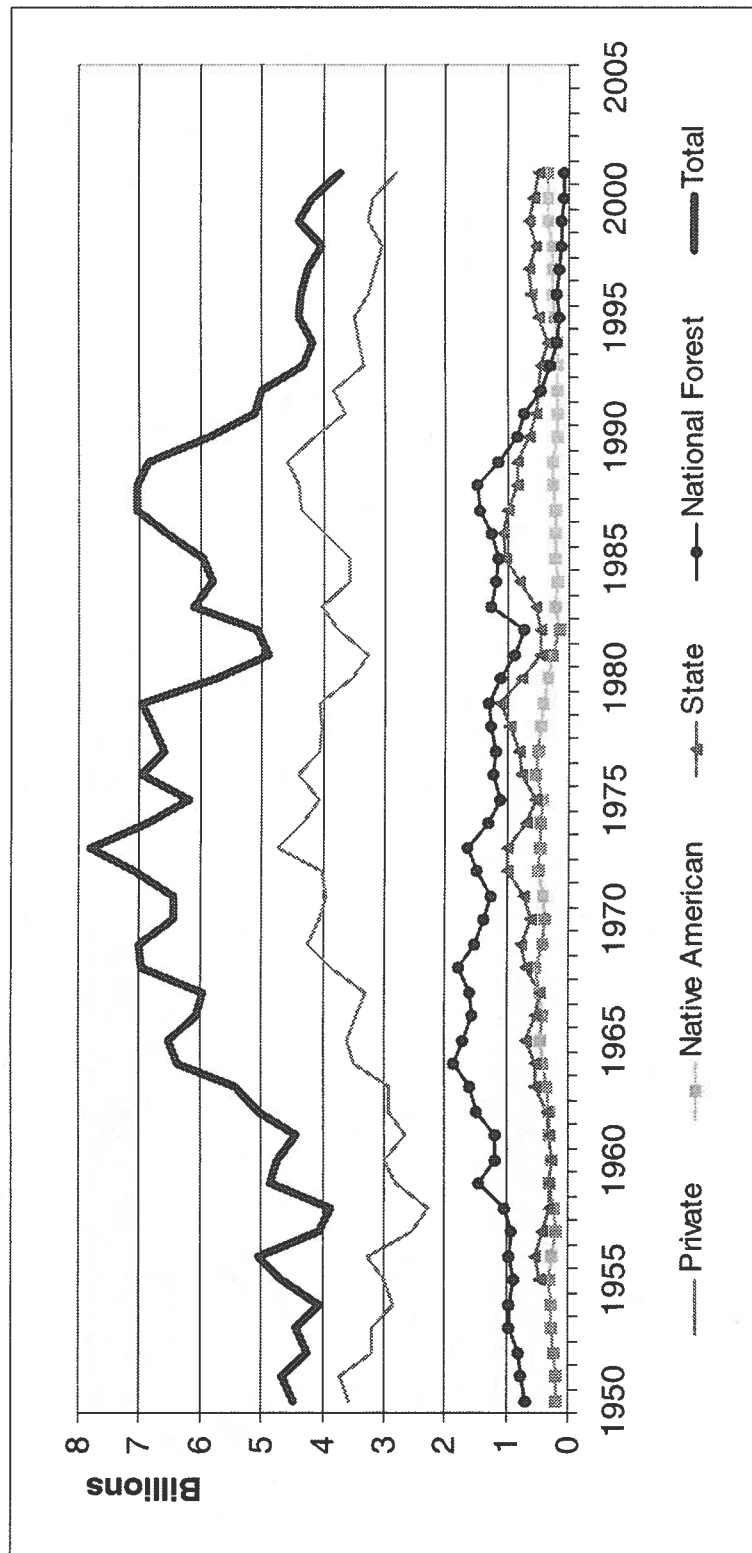
YEAR	OWNERSHIP										TOTAL HARVEST
	Native American	Forest Industry	Private Large	Private Small	TOTAL PRIVATE	State	Other Non-federal	National Forest	Other Federal	TOTAL PUBLIC	
1985	213,253	2,591,904	457,288	512,216	3,774,661	1,013,325	26,995	1,127,656	20,906	2,188,882	5,963,543
1986	235,054	2,849,386	627,909	511,357	4,223,706	1,064,431	14,578	1,232,257	20,985	2,332,251	6,555,957
1987	237,928	2,889,884	811,474	663,690	4,602,976	969,535	22,234	1,422,824	17,940	2,432,533	7,035,509
1988	270,846	2,884,035	806,459	735,408	4,676,748	826,433	38,808	1,485,607	17,776	2,368,624	7,045,372
1989	261,722	2,807,364	923,007	851,963	4,844,056	841,985	13,534	1,141,942	9,429	2,006,890	6,850,946
1990	182,326	2,550,221	886,425	710,182	4,329,154	657,374	29,923	817,211	15,565	1,520,073	5,849,227
1991	171,953	2,117,346	987,696	544,796	3,821,791	535,147	32,785	703,750	10,447	1,282,129	5,103,920
1992	185,847	2,276,696	641,240	925,570	4,029,353	476,050	43,020	461,072	8,181	988,323	5,017,676
1993	192,380	1,861,248	603,964	856,051	3,513,643	461,479	17,105	322,001	15,751	816,336	4,329,979
1994	198,604	1,834,321	583,180	1,003,527	3,619,632	322,733	9,619	199,527	4,419	536,288	4,159,930
1995	230,022	2,015,106	502,295	972,567	3,719,990	496,198	19,850	150,210	6,275	672,533	4,392,523
1996	269,996	2,017,921	466,982	789,803	3,543,702	599,621	34,830	181,495	6,639	822,585	4,366,287
1997	252,324	1,917,234	487,611	733,594	3,390,763	645,216	31,259	166,169	13,080	855,724	4,246,487
1998	275,131	1,867,112	483,161	683,344	3,318,748	546,334	35,540	110,642	10,308	702,824	4,021,572
1999	333,904	1,884,325	596,378	795,113	3,579,720	662,479	15,091	116,819	8,670	803,059	4,382,779
2000	330,184	1,824,273	672,271	680,250	3,506,978	559,254	16,499	81,348	12,489	669,590	4,176,568
2001	324,304	1,548,576	651,666	590,988	3,115,534	496,043	25,831	68,032	10,536	600,442	3,715,976
TOTAL	4,165,778	37,696,952	11,189,006	12,559,419	65,611,155	11,173,637	427,501	9,788,562	209,396	21,599,096	87,210,251
TOTAL	12,238,644	111,507,741	6,054,856	9,246,324	139,047,565	18,232,438	839,788	43,502,551	810,650	63,385,427	202,432,992
TOTAL	16,404,422	149,204,693	17,243,862	21,805,743	204,658,720	29,406,075	1,267,289	53,291,113	1,020,046	84,984,523	289,643,243

¹ Forest Industry harvest includes other owner classes for designated years as follows: 1949-1951 - Private Large, Private Small, State, Other Non-federal and Other Federal; 1952-1954 - Private Large, Private Small, State, and Other Non-federal; 1955-1962 - Private Large, Private Small and Other Non-federal; and 1963-1964 - Private Large and Private Small.
² Private Large harvest included with Forest Industry for the years 1949-1964.
³ Private Small harvest included with Forest Industry for the years 1949-1964.
⁴ State harvest included with Forest Industry for the years 1949-1954.
⁵ Other Non-federal harvest included with Forest Industry for the years 1949-1962.
⁶ Other Federal harvest included with Forest Industry for the years 1949-1951.

NOTE: The annual harvest data by ownership for the period 1949 through 1984 were published in the "Washington Timber Harvest 2000" report.

Figure 7. Statewide Washington Harvests by Ownerships 1950 - 2001

Billion board feet, Scribner rule



Eastern Washington Timber Harvests by Ownerships 1985 - 2001

Thousand board feet, Scribner rule

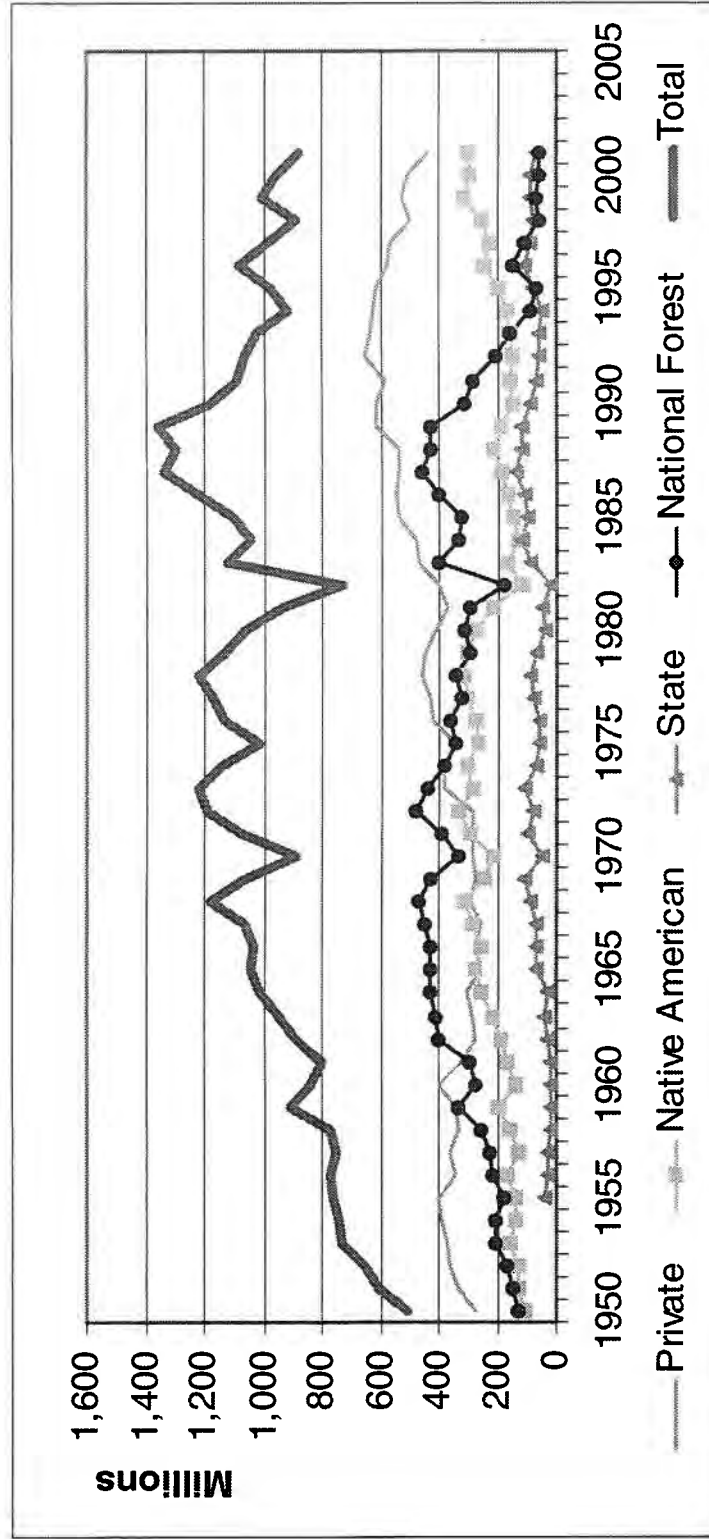
YEAR	OWNERSHIP										TOTAL PUBLIC
	Native American	Forest Industry	Private Large	Private Small	TOTAL PRIVATE	State	Other Non-federal	National Forest	Other Federal	TOTAL	
1985	148,384	380,248	26,838	127,920	683,390	93,545	227	324,138	2,744	420,684	
1986	168,241	377,200	48,562	124,634	718,637	104,438	2,997	396,551	1,539	505,525	
1987	189,431	349,716	51,963	138,818	729,928	138,753	2,338	462,312	4,931	608,334	
1988	210,568	364,363	37,329	136,461	748,721	115,984	5,573	426,280	0	547,837	
1989	188,159	393,467	58,782	165,263	805,671	117,867	1,448	433,511	614	553,440	
1990	144,712	406,466	56,230	152,497	759,905	84,245	13,940	313,259	4,443	415,887	
1991	154,302	386,904	68,778	127,449	737,433	67,675	175	284,304	823	352,977	
1992	148,960	342,462	80,549	227,623	799,594	53,990	3,967	205,206	218	263,381	
1993	156,205	263,383	60,222	313,844	793,654	63,078	321	160,975	4,613	228,987	
1994	166,261	237,635	73,079	310,725	787,700	48,561	0	85,664	0	134,225	
1995	194,217	262,170	66,356	285,050	807,793	82,667	13,670	71,306	0	167,643	
1996	244,686	257,097	66,505	254,603	822,891	107,723	79	147,407	0	255,209	
1997	224,178	236,749	70,402	254,716	786,045	92,592	152	105,281	4,738	202,763	
1998	254,143	245,985	56,662	198,918	755,708	77,390	469	58,681	0	136,540	
1999	316,247	211,043	86,075	234,335	847,700	88,888	577	70,749	17	160,231	
2000	294,790	214,039	91,958	202,522	803,309	87,640	1,178	59,743	923	149,484	
2001	298,045	165,328	105,165	170,645	739,183	73,028	6	61,332	599	134,965	
TOTAL	3,501,529	5,094,255	1,105,455	3,426,023	13,127,262	1,498,064	47,117	3,666,699	26,202	5,238,082	
TOTAL	7,612,735	9,469,318	1,021,785	2,095,140	20,198,978	1,771,622	149,261	11,355,022	179,374	13,455,279	
TOTAL	11,114,264	14,563,573	2,127,240	5,521,163	33,326,240	3,269,686	196,378	15,021,721	205,576	18,693,361	

Forest Industry harvest includes other owner classes for designated years as follows: 1949-1951 - Private Large, Private Small, State, Other Non-federal and Other Federal; 1952-1954 - Private Large, Private Small, State, and Other Non-federal; 1955-1962 - Private Large, Private Small and Other Non-federal; and 1963-1964 - Private Large and Private Small. Private Large harvest included with Forest Industry for the years 1949-1964. Private Small harvest included with Forest Industry for the years 1949-1964. State harvest included with Forest Industry for the years 1949-1964. Other Non-federal harvest included with Forest Industry for the years 1949-1962. Other Federal harvest included with Forest Industry for the years 1949-1951.

NOTE: The annual harvest data by ownership for the period 1949 through 1984 were published in the "Washington Timber Harvest 2000" report.

Figure 8. Eastern Washington Harvests by Ownerships 1950 - 2001

Million board feet, Scribner rule



Western Washington Timber Harvests by Ownerships 1985 - 2001

Thousand board feet, Scribner rule

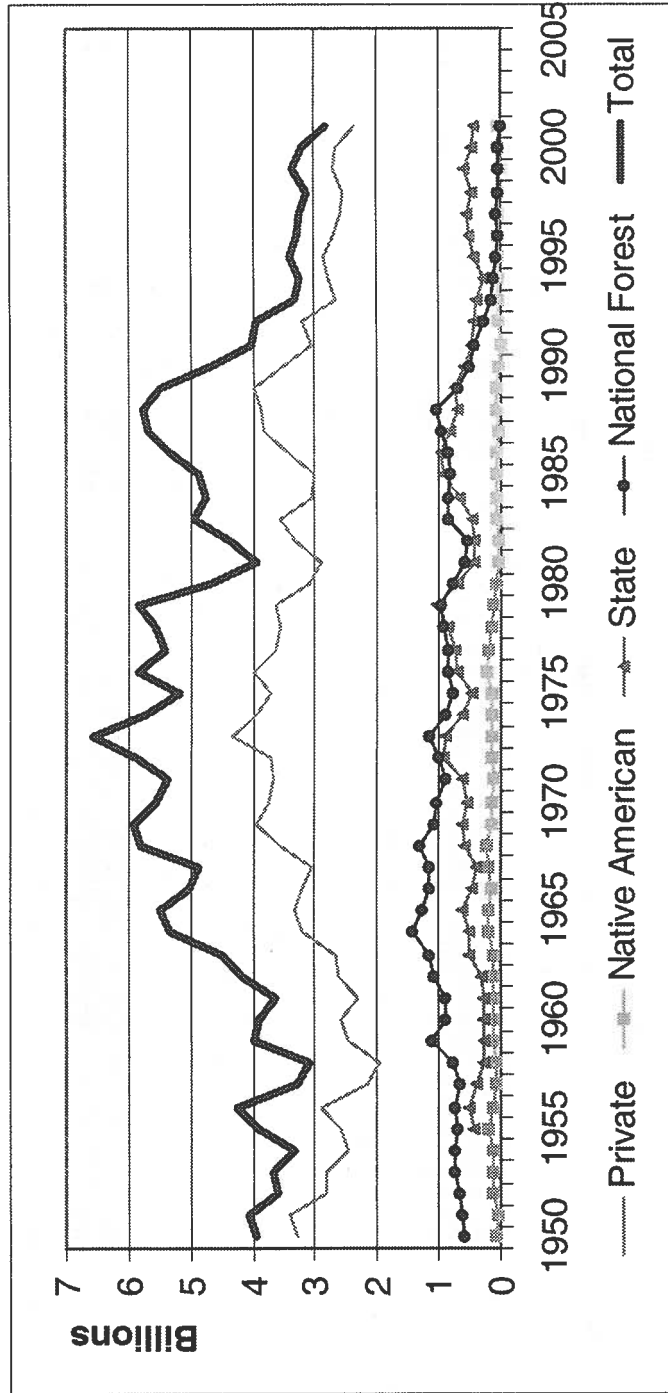
YEAR	OWNERSHIP										TOTAL PUBLIC	TOTAL HARVEST
	Native American	Forest Industry	Private Large	Private Small	TOTAL PRIVATE	State	Other Non-federal	National Forest	Other Federal	TOTAL PUBLIC		
1985	64,869	2,211,656	430,450	384,296	3,091,271	919,780	26,758	803,518	18,162	1,768,228	4,859,489	
1986	66,813	2,472,186	579,347	386,723	3,505,069	959,993	11,581	835,706	19,446	1,826,726	5,331,795	
1987	48,497	2,540,168	759,511	524,872	3,873,048	830,782	19,896	960,512	13,009	1,824,199	5,697,247	
1988	60,278	2,499,672	769,130	598,947	3,928,027	710,449	33,235	1,059,327	17,776	1,820,787	5,748,814	
1989	73,563	2,413,897	864,225	686,700	4,038,385	724,118	12,086	708,431	8,815	1,453,450	5,491,835	
1990	37,614	2,143,755	830,195	557,685	3,569,249	573,129	15,983	503,952	11,122	1,104,186	4,673,495	
1991	17,651	1,730,442	918,918	417,347	3,084,358	467,472	32,610	419,446	9,624	925,152	4,013,510	
1992	36,887	1,934,234	560,691	697,947	3,229,759	422,060	39,053	255,866	7,963	724,942	3,954,701	
1993	36,175	1,597,865	543,742	542,207	2,719,989	398,401	16,784	161,026	11,138	587,349	3,307,338	
1994	32,343	1,596,686	510,101	692,802	2,831,932	274,172	9,619	113,863	4,419	402,073	3,234,005	
1995	35,805	1,752,936	435,939	687,517	2,912,197	413,531	6,180	78,904	6,275	504,890	3,417,087	
1996	25,310	1,760,824	400,477	534,200	2,720,811	491,898	34,751	34,088	6,639	567,376	3,288,187	
1997	28,146	1,680,485	417,209	478,878	2,604,718	552,624	31,107	60,888	8,342	652,961	3,257,679	
1998	20,988	1,621,127	436,499	484,426	2,563,040	468,944	35,071	51,961	10,308	566,284	3,129,324	
1999	17,657	1,653,282	500,303	560,778	2,732,020	573,591	14,514	46,070	8,653	642,828	3,374,848	
2000	35,394	1,610,234	580,313	471,728	2,703,669	471,614	15,321	21,605	11,566	520,106	3,223,775	
2001	26,259	1,383,248	546,501	420,343	2,376,351	423,015	25,825	6,700	9,937	465,477	2,841,828	
TOTAL	1980-2001	664,249	32,602,697	10,083,551	9,133,396	52,483,893	9,675,573	380,384	6,121,863	183,194	16,361,014	68,844,907
TOTAL	1949-1979	4,625,909	102,038,423 ¹	5,033,071 ²	7,151,184 ³	118,848,567	16,460,816 ⁴	690,527 ⁵	32,147,529	631,276 ⁶	49,930,148	168,778,735
TOTAL	1949-2001	5,290,158	134,641,120	15,116,622	16,284,580	171,332,480	26,136,389	1,070,911	38,269,392	814,470	66,291,162	237,623,642

¹ Forest industry harvest includes other owner classes for designated years as follows: 1949-1951 - Private Large, Private Small, State, Other Non-federal and Other Federal;
² 1952-1954 - Private Large, Private Small, State, and Other Non-federal; 1955-1962 - Private Large, Private Small and Other Non-federal; and 1963-1964 - Private Large and Private Small.
³ Private Large harvest included with Forest Industry for the years 1949-1964.
⁴ Private Small harvest included with Forest Industry for the years 1949-1964.
⁵ State harvest included with Forest Industry for the years 1949-1954.
⁶ Other Non-federal harvest included with Forest Industry for the years 1949-1962.
⁷ Other Federal harvest included with Forest Industry for the years 1949-1951.

NOTE: The annual harvest data by ownership for the period 1949 through 1984 were published in the "Washington Timber Harvest 2000" report.

**Figure 9. Western Washington Harvests by Ownerships
1950 - 2001**

Billion board feet, Scribner rule



Statewide Washington Timber Harvests by Species 1985 - 2001

Thousand board feet, Scribner rule

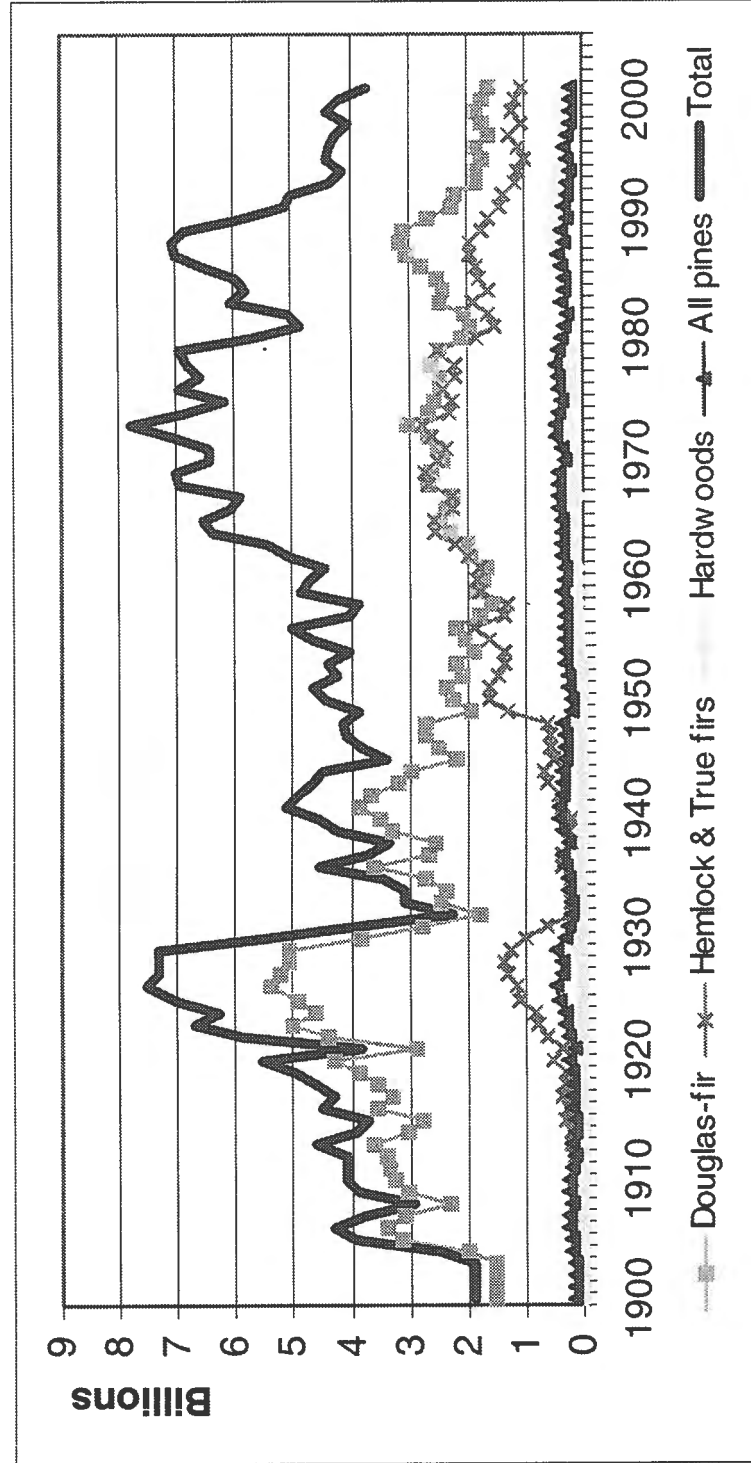
SPECIES

YEAR	Hemlock and True firs							TOTAL CONIFERS	Red alder	Other Hardwoods	TOTAL HARVEST
	Douglas-fir	Cedars	Ponderosa pine	Other conifers	Red alder	Other Hardwoods	TOTAL HARVEST				
1985	2,510,084	1,784,673	250,429	263,755	877,596	5,686,537	121,836	155,170	5,963,543		
1986	2,780,514	1,845,802	345,350	311,925	919,591	6,203,182	172,108	180,667	6,555,957		
1987	3,056,234	1,952,021	342,509	331,540	976,549	6,658,853	169,409	207,247	7,035,509		
1988	3,139,562	1,939,040	294,456	284,833	946,912	6,604,803	200,838	239,731	7,045,372		
1989	3,091,285	1,744,298	266,392	295,609	940,019	6,337,603	230,082	283,261	6,850,946		
1990	2,661,879	1,596,160	204,906	226,052	739,559	5,428,556	189,692	230,979	5,849,227		
1991	2,242,542	1,424,792	181,839	216,857	613,832	4,679,862	177,126	246,932	5,103,920		
1992	2,209,256	1,351,589	196,787	197,426	640,563	4,595,621	166,507	255,548	5,017,676		
1993	1,831,188	1,132,015	135,827	189,301	636,722	3,925,053	164,996	239,930	4,329,979		
1994	1,808,860	1,105,674	100,250	167,848	620,092	3,802,724	181,248	171,958	4,155,930		
1995	1,752,372	1,017,985	120,991	200,887	997,617	4,089,852	233,447	69,224	4,392,523		
1996	1,844,383	1,116,588	127,614	211,420	778,474	4,078,479	216,351	71,457	4,366,287		
1997	1,632,476	1,232,926	119,169	185,019	774,077	3,943,667	228,531	74,289	4,246,487		
1998	1,712,459	1,071,229	103,769	151,617	700,637	3,739,711	206,844	75,017	4,021,572		
1999	1,821,180	1,192,534	93,401	150,549	810,886	4,066,550	228,198	86,031	4,382,779		
2000	1,744,634	1,150,759	83,260	161,998	739,220	3,879,871	204,912	91,765	4,176,568		
2001	1,609,867	1,062,191	68,302	166,957	584,357	3,491,674	143,704	80,598	3,715,976		
TOTALS											
1985 - 2001	37,448,775	23,720,276	3,035,251	3,713,593	13,296,703	81,214,598	3,235,829	2,759,824	87,210,251		
1900 - 1984	239,987,594	92,616,128	22,663,044	25,238,273	28,737,752	409,242,791	3,220,790	2,568,411	415,031,992		
1869 - 1899	17,115,000	7,000	517,400	2,572,000	2,133,800	22,345,200	0	41,800	22,387,000		
TOTAL											
1869 - 2001	294,551,369	116,343,404	26,215,695	31,523,866	44,168,255	512,802,589	6,456,619	5,370,035	524,629,243		

NOTE: The annual harvest data by species for the period 1869 through 1984 were published in the "Washington Timber Harvest 2000" report.

Figure 10. Statewide Washington Harvests by Species 1900 - 2001

Billion board feet, Scribner rule



Eastern Washington Harvests by Species 1985 - 2001

Thousand board feet, Scribner rule

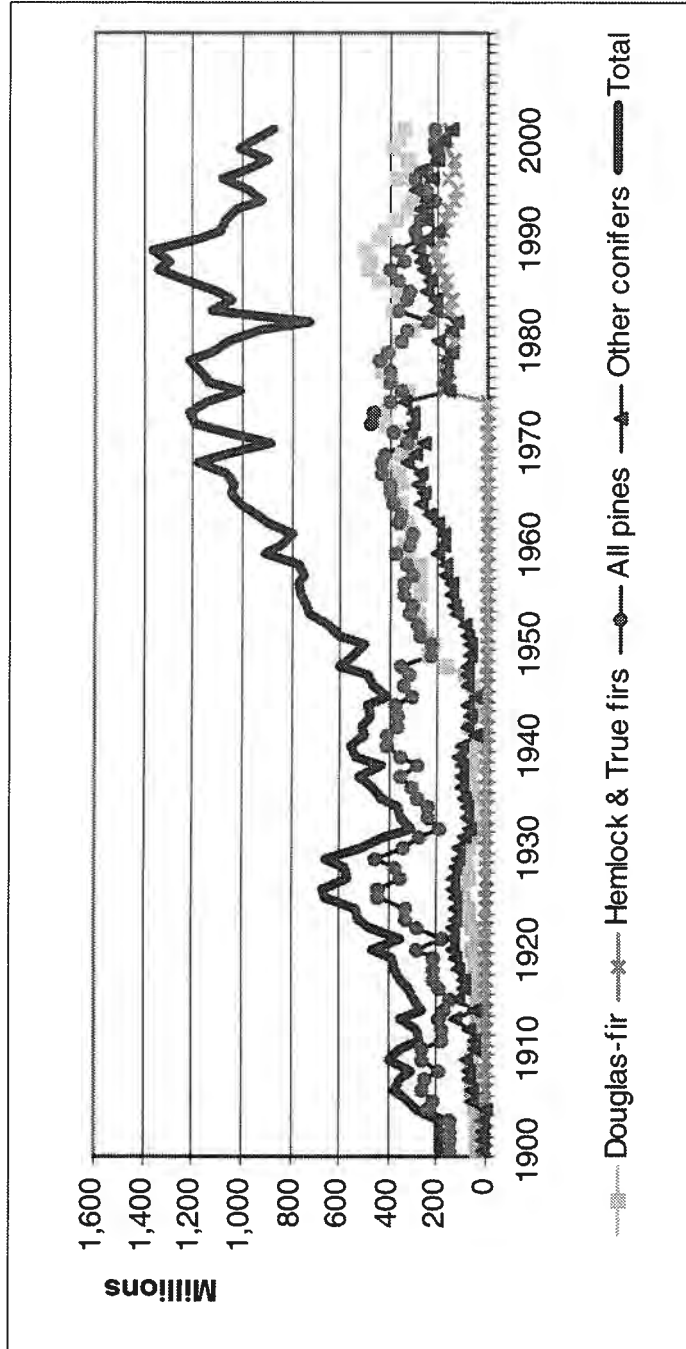
SPECIES

YEAR	Douglas-fir	Western Larch	Hemlock and True firs	Ponderosa pine	Other pines	Other conifers	TOTAL CONIFERS	TOTAL HARDWOODS	TOTAL HARVEST
1985	374,599	50,767	171,726	263,755	48,832	193,215	1,102,894	1,150	1,104,044
1986	448,122	34,513	174,236	311,925	48,910	206,344	1,224,050	112	1,224,162
1987	486,830	47,632	190,859	331,540	62,395	218,920	1,338,176	86	1,338,262
1988	481,926	52,431	208,156	284,833	50,921	217,778	1,296,045	513	1,296,558
1989	497,558	49,815	211,182	295,609	66,245	237,506	1,357,915	1,196	1,359,111
1990	443,741	36,911	192,761	226,052	59,896	215,551	1,174,912	880	1,175,792
1991	415,932	30,237	181,107	216,857	73,634	171,688	1,089,455	955	1,090,410
1992	369,161	34,013	173,989	197,426	75,364	211,144	1,061,097	1,878	1,062,975
1993	331,226	34,677	160,803	189,301	64,899	239,495	1,020,401	2,240	1,022,641
1994	308,079	18,438	138,087	167,948	50,286	235,281	918,019	3,906	921,925
1995	280,971	22,431	127,710	200,887	54,336	274,121	960,456	14,980	975,436
1996	375,483	18,403	164,348	211,420	80,735	213,887	1,064,276	13,824	1,078,100
1997	321,031	19,108	136,677	185,019	60,941	248,742	971,518	17,290	988,808
1998	325,256	16,146	140,903	151,617	50,354	188,614	872,890	19,358	892,248
1999	384,295	18,898	171,057	150,549	66,098	196,808	967,685	20,246	1,007,931
2000	359,635	12,228	174,490	161,998	56,892	163,863	928,106	23,667	952,793
2001	337,429	11,691	158,769	166,957	47,127	132,483	854,456	19,692	874,148
TOTALS									
1985 - 2001	6,541,264	508,329	2,876,860	3,713,593	1,017,865	3,565,440	18,223,351	141,993	18,365,344
1900 - 1984	14,693,423	4,318,033	1,557,119	25,238,273	1,104,422	6,980,066	53,891,336	65,121	53,956,457
1869 - 1899	514,200	22,000	0	2,572,000	0	40,600	3,148,800	0	3,148,800
TOTAL									
1869 - 2001	21,748,887	4,848,362	4,433,979	31,523,866	2,122,287	10,586,106	75,263,487	207,114	75,470,601

NOTE: The annual harvest data by species for the period 1869 through 1984 were published in the "Washington Timber Harvest 2000" report.

Figure 11. Eastern Washington Harvests by Species 1900 - 2001

Million board feet, Scribner rule



Western Washington Harvests by Species

1985 - 2001

Thousand board feet, Scribner rule

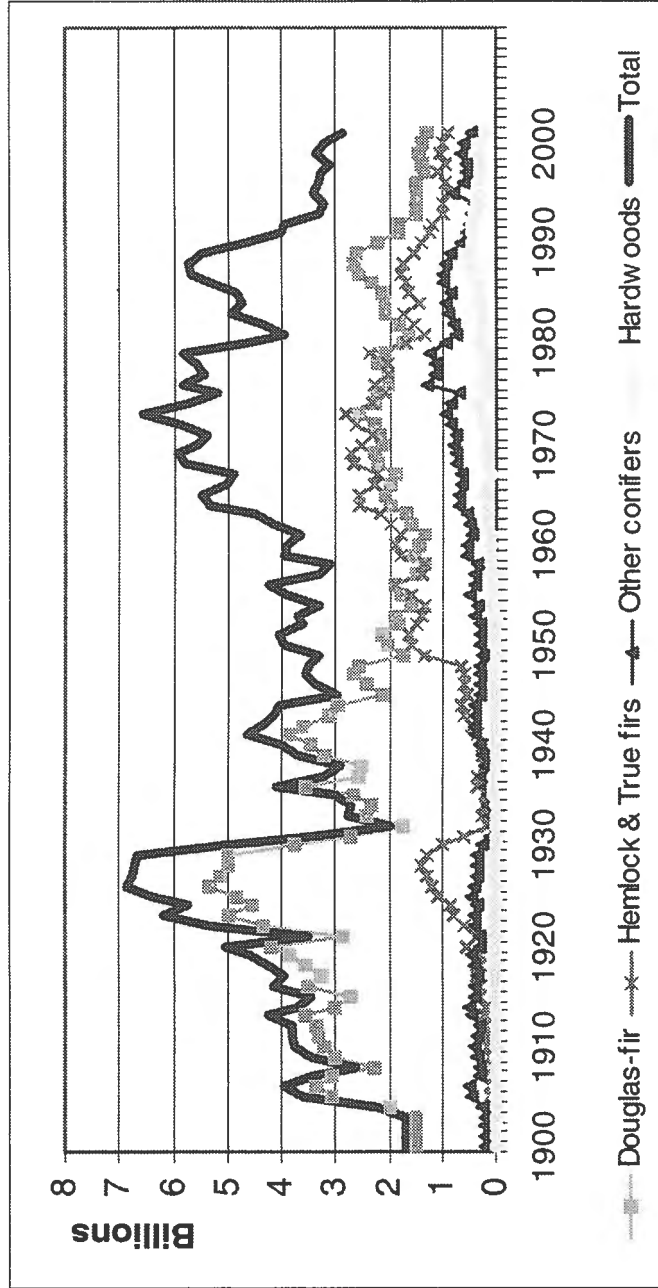
SPECIES

YEAR	Douglas-fir	Hemlock	True firs	Cedars	Other conifers	TOTAL CONIFERS	Red alder	Other hardwoods	TOTAL HARVEST
1985	2,135,485	1,421,588	191,359	250,429	584,782	4,583,643	121,836	154,020	4,859,499
1986	2,332,392	1,543,957	127,609	345,350	629,824	4,979,132	172,108	180,555	5,331,795
1987	2,589,404	1,642,213	118,949	342,509	647,602	5,320,677	169,409	207,161	5,697,247
1988	2,657,636	1,615,606	115,278	294,456	625,782	5,308,758	200,838	239,218	5,748,814
1989	2,593,727	1,447,219	85,897	266,392	586,453	4,979,688	230,082	282,065	5,491,835
1990	2,218,138	1,333,736	69,663	204,906	427,201	4,253,644	189,692	230,099	4,673,435
1991	1,826,610	1,192,613	51,072	181,839	338,273	3,580,407	177,126	245,977	4,013,510
1992	1,840,095	1,132,327	45,273	196,787	320,042	3,534,524	166,507	253,670	3,954,701
1993	1,499,962	939,999	31,213	135,827	297,651	2,904,652	184,996	237,690	3,307,338
1994	1,500,761	944,418	23,169	100,250	316,087	2,884,705	181,248	168,052	3,234,005
1995	1,471,401	864,787	25,488	120,991	646,729	3,129,396	233,447	54,244	3,417,087
1996	1,468,900	926,881	25,359	127,614	465,449	3,014,203	216,351	57,633	3,288,187
1997	1,311,445	1,067,595	28,654	119,169	445,286	2,972,149	228,531	56,999	3,257,679
1998	1,387,203	908,214	22,112	103,769	445,523	2,866,821	206,844	55,659	3,129,324
1999	1,436,895	996,699	24,778	93,401	529,092	3,080,865	228,198	65,785	3,374,848
2000	1,394,999	954,402	21,867	83,260	506,237	2,950,765	204,912	68,098	3,223,775
2001	1,272,438	888,276	15,146	88,302	393,056	2,637,218	143,704	60,906	2,841,828
TOTALS									
1985 - 2001	30,907,511	19,820,530	1,022,886	3,035,251	8,205,069	62,991,247	3,235,829	2,617,831	68,844,907
1900 - 1984	225,294,171	77,805,798	13,253,211	22,403,474	16,994,801	355,351,455	3,220,790	2,503,290	361,075,535
1889 - 1899	16,600,800	7,000	0	517,400	2,071,200	19,196,400	0	41,800	19,238,200
TOTAL									
1889 - 2001	272,802,482	97,633,328	14,276,097	25,956,125	26,871,070	437,539,102	6,456,619	5,162,921	449,158,642

NOTE: The annual harvest data by species for the period 1889 through 1984 were published in the "Washington Timber Harvest 2000" report.

Figure 12. Western Washington Harvests by Species 1900 - 2001

Billion board feet, Scribner rule







Timber Harvests by Counties

Timber Harvest Summary All Ownerships by County - 2001

Thousand board feet, Scribner rule

OWNER CLASS

COUNTY	Native American	Forest Industry	Private Large	Private Small	TOTAL PRIVATE	State	Other Non-federal	National Forest	Other Federal	TOTAL PUBLIC
EASTERN WASHINGTON										
ASOTIN	0	867	292	2,005	3,164	0	0	0	0	0
CHELAN	0	0	4,752	1,376	6,128	1,095	0	8,546	0	9,641
COLUMBIA	0	312	868	930	2,110	2,028	0	163	0	2,191
DOUGLAS	0	0	0	1,359	1,359	0	0	0	0	0
FERRY	46,476	4,662	202	8,578	59,918	2,926	3	8,115	0	11,044
GARFIELD	0	211	0	615	826	0	0	3,459	0	3,459
KITTITAS	0	34,998	12,402	34,399	81,799	4,337	0	1,216	0	5,553
KLUCKITAT	12,100	34,259	23,292	20,155	89,806	14,896	0	0	0	14,896
LINCOLN	0	0	0	2,534	2,534	3,079	0	0	0	3,079
OKANOGAN	20,801	820	3,462	7,258	32,341	13,237	0	5,999	0	19,236
PEND OREILLE	0	33,169	26,511	16,316	75,996	3,559	3	15,773	0	19,335
SPOKANE	0	3,476	4,362	10,168	18,006	3,636	0	0	0	3,636
STEVENS	14,760	39,495	25,987	59,754	139,996	21,487	0	12,458	599	34,544
WALLA WALLA	0	3,142	948	1,331	5,421	0	0	0	0	0
WHITMAN	0	0	0	540	540	0	0	0	0	0
YAKIMA	203,908	9,917	2,087	3,327	219,239	2,748	0	5,603	0	8,351
EASTSIDE TOTAL	299,045	165,328	105,165	170,645	739,183	73,028	6	61,332	599	134,965

Timber Harvest Summary (continued) All Ownerships by County - 2001

Thousand board feet, Scribner rule

OWNER CLASS

COUNTY	Native American	Forest Industry	Private Large	Private Small	TOTAL PRIVATE	State	Other Non-federal	National Forest	Other Federal	TOTAL PUBLIC	O
WESTERN WASHINGTON											
CLALLAM	2,159	88,892	53,048	47,753	191,852	34,937	3,330	771	0	39,038	0
CLARK	0	21,377	2,616	14,242	38,235	15,652	0	0	0	15,652	0
COWLITZ	0	157,775	37,017	14,784	209,576	38,556	0	0	0	38,556	0
GRAYS HARBOR	23,328	253,079	61,053	64,610	402,070	25,501	15,327	399	0	41,227	0
ISLAND	0	0	143	10,582	10,725	0	0	0	0	0	0
JEFFERSON	0	15,891	27,499	7,030	50,420	11,422	0	0	0	11,422	0
KING	0	93,193	20,044	19,859	133,096	10,981	0	79	0	11,060	0
KITSAP	10	1,175	787	14,637	16,609	2,949	5,300	0	956	9,205	0
LEWIS	0	269,745	72,847	58,167	400,759	37,479	0	2,880	0	40,359	0
MASON	0	78,863	19,728	32,913	131,504	12,623	0	237	0	12,860	0
PACIFIC	0	165,102	66,944	17,790	249,836	27,586	0	0	0	27,586	0
PIERCE	0	117,565	20,262	38,045	175,872	17,843	20	0	6,376	24,239	0
SAN JUAN	0	0	0	1,732	1,732	0	0	0	0	0	0
SKAGIT	483	36,792	38,618	21,109	97,002	23,251	1,570	0	0	24,821	0
SKAMANIA	0	5,030	11,970	5,037	22,037	8,304	0	1,059	0	9,363	0
SNOHOMISH	238	23,533	29,769	17,172	70,712	50,152	278	1,275	0	51,705	0
THURSTON	0	33,452	8,370	13,944	55,766	49,000	0	0	2,605	51,605	0
WAHIAKUM	0	6,964	66,746	3,594	77,304	19,159	0	0	0	19,159	0
WHATCOM	41	14,820	9,040	17,343	41,244	37,620	0	0	0	37,620	0
WESTSIDE TOTAL	26,259	1,383,248	546,501	420,343	2,376,351	423,015	25,825	6,700	9,937	465,477	
STATEWIDE TOTAL	324,304	1,548,576	651,666	590,988	3,115,534	496,043	25,831	68,032	10,536	600,442	

Eastern Washington

Timber Harvest **ASOTIN COUNTY - 2001**

Thousand board feet, Scribner rule

Species

OWNERSHIP	DOUGLAS-FIR	LARCH	TRUE FIRS	PONDEROSA PINE	OTHER PINES	OTHER CONIFERS	HARDWOODS	TOTAL VOLUME
NATIVE AMERICAN	0	0	0	0	0	0	0	0
FOREST INDUSTRY	539	0	163	71	0	94	0	867
PRIVATE LARGE	210	0	9	65	0	8	0	292
PRIVATE SMALL*	377	0	237	149	0	850	392	2,005
TOTAL PRIVATE*	1,126	0	409	285	0	952	392	3,164
STATE	0	0	0	0	0	0	0	0
OTHER NON-FEDERAL	0	0	0	0	0	0	0	0
NATIONAL FOREST	0	0	0	0	0	0	0	0
OTHER FEDERAL	0	0	0	0	0	0	0	0
TOTAL PUBLIC	0	0	0	0	0	0	0	0
TOTAL ALL OWNERS*	1,126	0	409	285	0	952	392	3,164

*PRIVATE SMALL harvests by species are often reported in the appropriate category as either OTHER CONIFERS or OTHER HARDWOODS. See Page 3 for an explanation.

Eastern Washington

Timber Harvest **Chelan County - 2001**

Thousand board feet, Scribner rule

OWNERSHIP	Species							TOTAL VOLUME
	DOUGLAS-FIR	LARCH	TRUE FIRS	PONDEROSA PINE	OTHER PINES	OTHER CONIFERS	HARDWOODS	
NATIVE AMERICAN	0	0	0	0	0	0	0	0
FOREST INDUSTRY	0	0	0	0	0	0	0	0
PRIVATE LARGE	2,502	0	865	189	216	980	0	4,752
PRIVATE SMALL*	0	0	0	0	0	1,124	252	1,376
TOTAL PRIVATE*	2,502	0	865	189	216	2,104	252	6,128
STATE	635	0	0	460	0	0	0	1,095
OTHER NON-FEDERAL	0	0	0	0	0	0	0	0
NATIONAL FOREST	2,382	0	2,088	1,908	0	2,168	0	8,546
OTHER FEDERAL	0	0	0	0	0	0	0	0
TOTAL PUBLIC	3,017	0	2,088	2,368	0	2,168	0	9,641
TOTAL ALL OWNERS*	5,519	0	2,953	2,557	216	4,272	252	15,769

*PRIVATE SMALL harvests by species are often reported in the appropriate category as either OTHER CONIFERS or OTHER HARDWOODS. See Page 3 for an explanation.

Eastern Washington

Timber Harvest **Columbia County - 2001**

Thousand board feet, Scribner rule

OWNERSHIP	Species							TOTAL VOLUME
	DOUGLAS-FIR	LARCH	TRUE FIRS	PONDEROSA PINE	OTHER PINES	OTHER CONIFERS	HARDWOODS	
NATIVE AMERICAN	0	0	0	0	0	0	0	0
FOREST INDUSTRY	187	0	100	25	0	0	0	312
PRIVATE LARGE	585	0	208	36	0	39	0	868
PRIVATE SMALL*	0	0	0	0	0	896	34	930
TOTAL PRIVATE*	772	0	308	61	0	935	34	2,110
STATE	872	0	588	568	0	0	0	2,028
OTHER NON-FEDERAL	0	0	0	0	0	0	0	0
NATIONAL FOREST	47	0	116	0	0	0	0	163
OTHER FEDERAL	0	0	0	0	0	0	0	0
TOTAL PUBLIC	919	0	704	568	0	0	0	2,191
TOTAL ALL OWNERS*	1,691	0	1,012	629	0	935	34	4,301

*PRIVATE SMALL harvests by species are often reported in the appropriate category as either OTHER CONIFERS or OTHER HARDWOODS. See Page 3 for an explanation.

Eastern Washington

Timber Harvest **Douglas County - 2001**

Thousand board feet, Scribner rule

OWNERSHIP	Species							TOTAL VOLUME
	DOUGLAS-FIR	LARCH	TRUE FIRS	PONDEROSA PINE	OTHER PINES	OTHER CONIFERS	HARDWOODS	
NATIVE AMERICAN	0	0	0	0	0	0	0	0
FOREST INDUSTRY	0	0	0	0	0	0	0	0
PRIVATE LARGE	0	0	0	0	0	0	0	0
PRIVATE SMALL*	0	0	0	0	0	865	494	1,359
TOTAL PRIVATE*	0	0	0	0	0	865	494	1,359
STATE	0	0	0	0	0	0	0	0
OTHER NON-FEDERAL	0	0	0	0	0	0	0	0
NATIONAL FOREST	0	0	0	0	0	0	0	0
OTHER FEDERAL	0	0	0	0	0	0	0	0
TOTAL PUBLIC	0	0	0	0	0	0	0	0
TOTAL ALL OWNERS*	0	0	0	0	0	865	494	1,359

*PRIVATE SMALL harvests by species are often reported in the appropriate category as either OTHER CONIFERS or OTHER HARDWOODS. See Page 3 for an explanation.

Eastern Washington

Timber Harvest **Ferry County - 2001**

Thousand board feet, Scribner rule

OWNERSHIP	Species							TOTAL VOLUME
	DOUGLAS-FIR	LARCH	TRUE FIRS	PONDEROSA PINE	OTHER PINES	OTHER CONIFERS	HARDWOODS	
NATIVE AMERICAN	20,542	5,401	2,375	7,230	10,275	653	0	46,476
FOREST INDUSTRY	3,139	0	200	746	89	488	0	4,662
PRIVATE LARGE	90	0	1	91	0	20	0	202
PRIVATE SMALL*	97	0	2	9	5	7,636	829	8,578
TOTAL PRIVATE*	23,868	5,401	2,578	8,076	10,369	8,797	829	59,918
STATE	2,750	0	59	29	59	29	0	2,926
OTHER NON-FEDERAL	0	0	0	1	2	0	0	3
NATIONAL FOREST	2,446	74	0	14	4,128	1,453	0	8,115
OTHER FEDERAL	0	0	0	0	0	0	0	0
TOTAL PUBLIC	5,196	74	59	44	4,189	1,482	0	11,044
TOTAL ALL OWNERS*	29,064	5,475	2,637	8,120	14,558	10,279	829	70,962

*PRIVATE SMALL harvests by species are often reported in the appropriate category as either OTHER CONIFERS or OTHER HARDWOODS. See Page 3 for an explanation.

Eastern Washington

Timber Harvest **Garfield County - 2001**

Thousand board feet, Scribner rule

Species

OWNERSHIP	DOUGLAS-FIR	LARCH	TRUE FIRS	PONDEROSA PINE	OTHER PINES	OTHER CONIFERS	HARDWOODS	TOTAL VOLUME
NATIVE AMERICAN	0	0	0	0	0	0	0	0
FOREST INDUSTRY	68	38	60	9	0	36	0	211
PRIVATE LARGE	0	0	0	0	0	0	0	0
PRIVATE SMALL*	55	39	28	0	0	462	31	615
TOTAL PRIVATE*	123	77	88	9	0	498	31	826
STATE	0	0	0	0	0	0	0	0
OTHER NON-FEDERAL	0	0	0	0	0	0	0	0
NATIONAL FOREST	1,288	0	1,448	723	0	0	0	3,459
OTHER FEDERAL	0	0	0	0	0	0	0	0
TOTAL PUBLIC	1,288	0	1,448	723	0	0	0	3,459
TOTAL ALL OWNERS*	1,411	77	1,536	732	0	498	31	4,285

*PRIVATE SMALL harvests by species are often reported in the appropriate category as either OTHER CONIFERS or OTHER HARDWOODS. See Page 3 for an explanation.

Eastern Washington

Timber Harvest **Kittitas County - 2001**

Thousand board feet, Scribner rule

OWNERSHIP	Species							TOTAL VOLUME
	DOUGLAS-FIR	LARCH	TRUE FIRS	PONDEROSA PINE	OTHER PINES	OTHER CONIFERS	HARDWOODS	
NATIVE AMERICAN	0	0	0	0	0	0	0	0
FOREST INDUSTRY	16,696	0	2,204	11,705	84	4,309	0	34,998
PRIVATE LARGE	5,992	0	209	5,432	27	742	0	12,402
PRIVATE SMALL*	17,281	0	4,082	5,857	198	6,548	433	34,399
TOTAL PRIVATE*	39,969	0	6,495	22,994	309	11,599	433	81,799
STATE	1,952	0	1,475	824	43	43	0	4,337
OTHER NON-FEDERAL	0	0	0	0	0	0	0	0
NATIONAL FOREST	324	0	628	137	0	127	0	1,216
OTHER FEDERAL	0	0	0	0	0	0	0	0
TOTAL PUBLIC	2,276	0	2,103	961	43	170	0	5,553
TOTAL ALL OWNERS*	42,245	0	8,598	23,955	352	11,769	433	87,352

*PRIVATE SMALL harvests by species are often reported in the appropriate category as either OTHER CONIFERS or OTHER HARDWOODS. See Page 3 for an explanation.

Eastern Washington

Timber Harvest **Klickitat County - 2001**

Thousand board feet, Scribner rule

OWNERSHIP	Species							TOTAL VOLUME
	DOUGLAS-FIR	LARCH	TRUE FIRS	PONDEROSA PINE	OTHER PINES	OTHER CONIFERS	HARDWOODS	
NATIVE AMERICAN	8,405	2	3,337	356	0	0	0	12,100
FOREST INDUSTRY	22,075	0	2,910	6,931	91	2,252	0	34,259
PRIVATE LARGE	16,240	0	2,097	3,579	1	1,375	0	23,292
PRIVATE SMALL*	12,793	0	1,766	3,401	0	2,065	130	20,155
TOTAL PRIVATE*	59,513	2	10,110	14,267	92	5,692	130	89,806
STATE	10,129	0	1,639	3,128	0	0	0	14,896
OTHER NON-FEDERAL	0	0	0	0	0	0	0	0
NATIONAL FOREST	0	0	0	0	0	0	0	0
OTHER FEDERAL	0	0	0	0	0	0	0	0
TOTAL PUBLIC	10,129	0	1,639	3,128	0	0	0	14,896
TOTAL ALL OWNERS*	69,642	2	11,749	17,395	92	5,692	130	104,702

*PRIVATE SMALL harvests by species are often reported in the appropriate category as either OTHER CONIFERS or OTHER HARDWOODS. See Page 3 for an explanation.

Eastern Washington

Timber Harvest Lincoln County - 2001

Thousand board feet, Scribner rule

OWNERSHIP	Species							TOTAL VOLUME
	DOUGLAS-FIR	LARCH	TRUE FIRS	PONDEROSA PINE	OTHER PINES	OTHER CONIFERS	HARDWOODS	
NATIVE AMERICAN	0	0	0	0	0	0	0	0
FOREST INDUSTRY	0	0	0	0	0	0	0	0
PRIVATE LARGE	0	0	0	0	0	0	0	0
PRIVATE SMALL*	0	0	0	309	0	2,006	219	2,534
TOTAL PRIVATE*	0	0	0	309	0	2,006	219	2,534
STATE	616	0	0	1,847	308	308	0	3,079
OTHER NON-FEDERAL	0	0	0	0	0	0	0	0
NATIONAL FOREST	0	0	0	0	0	0	0	0
OTHER FEDERAL	0	0	0	0	0	0	0	0
TOTAL PUBLIC	616	0	0	1,847	308	308	0	3,079
TOTAL ALL OWNERS*	616	0	0	2,156	308	2,314	219	5,613

*PRIVATE SMALL harvests by species are often reported in the appropriate category as either OTHER CONIFERS or OTHER HARDWOODS. See Page 3 for an explanation.

Eastern Washington

Timber Harvest **Okanogan County - 2001**

Thousand board feet, Scribner rule

OWNERSHIP	Species							TOTAL VOLUME
	DOUGLAS-FIR	LARCH	TRUE FIRS	PONDEROSA PINE	OTHER PINES	OTHER CONIFERS	HARDWOODS	
NATIVE AMERICAN	7,517	664	1,413	10,583	393	231	0	20,801
FOREST INDUSTRY	606	0	0	177	28	9	0	820
PRIVATE LARGE	861	0	29	1,188	156	1,228	0	3,462
PRIVATE SMALL*	62	0	0	217	0	5,313	1,666	7,258
TOTAL PRIVATE*	9,046	664	1,442	12,165	577	6,781	1,666	32,341
STATE	4,103	0	0	9,134	0	0	0	13,237
OTHER NON-FEDERAL	0	0	0	0	0	0	0	0
NATIONAL FOREST	4,309	230	0	950	461	49	0	5,999
OTHER FEDERAL	0	0	0	0	0	0	0	0
TOTAL PUBLIC	8,412	230	0	10,084	461	49	0	19,236
TOTAL ALL OWNERS*	17,458	894	1,442	22,249	1,038	6,830	1,666	51,577

*PRIVATE SMALL harvests by species are often reported in the appropriate category as either OTHER CONIFERS or OTHER HARDWOODS. See Page 3 for an explanation.

Eastern Washington

Timber Harvest **Pend Oreille County - 2001**

Thousand board feet, Scribner rule

OWNERSHIP	Species							TOTAL VOLUME
	DOUGLAS-FIR	LARCH	TRUE FIRS	PONDEROSA PINE	OTHER PINES	OTHER CONIFERS	HARDWOODS	
NATIVE AMERICAN	0	0	0	0	0	0	0	0
FOREST INDUSTRY	16,580	0	6,933	2,656	1,486	5,514	0	33,169
PRIVATE LARGE	11,438	0	6,378	502	2,043	6,083	67	26,511
PRIVATE SMALL*	1,185	0	557	275	86	10,244	3,969	16,316
TOTAL PRIVATE*	29,203	0	13,868	3,433	3,615	21,841	4,036	75,996
STATE	854	0	1,174	36	356	1,139	0	3,559
OTHER NON-FEDERAL	0	0	0	3	0	0	0	3
NATIONAL FOREST	4,045	1,614	2,323	30	5,264	2,497	0	15,773
OTHER FEDERAL	0	0	0	0	0	0	0	0
TOTAL PUBLIC	4,899	1,614	3,497	69	5,620	3,636	0	19,335
TOTAL ALL OWNERS*	34,102	1,614	17,365	3,502	9,235	25,477	4,036	95,331

*PRIVATE SMALL harvests by species are often reported in the appropriate category as either OTHER CONIFERS or OTHER HARDWOODS. See Page 3 for an explanation.

Eastern Washington

Timber Harvest **Spokane County - 2001**

Thousand board feet, Scribner rule

OWNERSHIP	Species							TOTAL VOLUME
	DOUGLAS-FIR	LARCH	TRUE FIRS	PONDEROSA PINE	OTHER PINES	OTHER CONIFERS	HARDWOODS	
NATIVE AMERICAN	0	0	0	0	0	0	0	0
FOREST INDUSTRY	1,392	0	573	613	32	866	0	3,476
PRIVATE LARGE	2,311	0	645	803	88	515	0	4,362
PRIVATE SMALL*	55	0	14	201	0	7,379	2,519	10,168
TOTAL PRIVATE*	3,758	0	1,232	1,617	120	8,760	2,519	18,006
STATE	1,600	0	545	982	182	327	0	3,636
OTHER NON-FEDERAL	0	0	0	0	0	0	0	0
NATIONAL FOREST	0	0	0	0	0	0	0	0
OTHER FEDERAL	0	0	0	0	0	0	0	0
TOTAL PUBLIC	1,600	0	545	982	182	327	0	3,636
TOTAL ALL OWNERS*	5,358	0	1,777	2,599	302	9,087	2,519	21,642

*PRIVATE SMALL harvests by species are often reported in the appropriate category as either OTHER CONIFERS or OTHER HARDWOODS. See Page 3 for an explanation.

Eastern Washington

Timber Harvest **Stevens County - 2001**

Thousand board feet, Scribner rule

OWNERSHIP	Species							TOTAL VOLUME
	DOUGLAS-FIR	LARCH	TRUE FIRS	PONDEROSA PINE	OTHER PINES	OTHER CONIFERS	HARDWOODS	
NATIVE AMERICAN	4,608	223	726	5,777	1,657	1,769	0	14,760
FOREST INDUSTRY	19,274	0	7,514	2,448	2,333	7,917	9	39,495
PRIVATE LARGE	12,796	0	3,143	2,935	2,044	5,067	2	25,987
PRIVATE SMALL*	11,602	0	2,684	3,126	1,333	32,583	8,426	59,754
TOTAL PRIVATE*	48,280	223	14,067	14,286	7,367	47,336	8,437	139,996
STATE	9,669	0	4,297	6,446	430	645	0	21,487
OTHER NON-FEDERAL	0	0	0	0	0	0	0	0
NATIONAL FOREST	5,549	46	0	1,235	4,850	778	0	12,458
OTHER FEDERAL	83	0	26	288	202	0	0	599
TOTAL PUBLIC	15,301	46	4,323	7,969	5,482	1,423	0	34,544
TOTAL ALL OWNERS*	63,581	269	18,390	22,255	12,849	48,759	8,437	174,540

*PRIVATE SMALL harvests by species are often reported in the appropriate category as either OTHER CONIFERS or OTHER HARDWOODS. See Page 3 for an explanation.

Eastern Washington

Timber Harvest **Walla Walla County - 2001**

Thousand board feet, Scribner rule

OWNERSHIP	Species							TOTAL VOLUME
	DOUGLAS-FIR	LARCH	TRUE FIRS	PONDEROSA PINE	OTHER PINES	OTHER CONIFERS	HARDWOODS	
NATIVE AMERICAN	0	0	0	0	0	0	0	0
FOREST INDUSTRY	1,997	0	241	824	0	80	0	3,142
PRIVATE LARGE	659	0	13	205	0	71	0	948
PRIVATE SMALL*	0	0	0	0	0	1,331	0	1,331
TOTAL PRIVATE*	2,656	0	254	1,029	0	1,482	0	5,421
STATE	0	0	0	0	0	0	0	0
OTHER NON-FEDERAL	0	0	0	0	0	0	0	0
NATIONAL FOREST	0	0	0	0	0	0	0	0
OTHER FEDERAL	0	0	0	0	0	0	0	0
TOTAL PUBLIC	0	0	0	0	0	0	0	0
TOTAL ALL OWNERS*	2,656	0	254	1,029	0	1,482	0	5,421

*PRIVATE SMALL harvests by species are often reported in the appropriate category as either OTHER CONIFERS or OTHER HARDWOODS. See Page 3 for an explanation.

Eastern Washington

Timber Harvest **Whitman County - 2001**

Thousand board feet, Scribner rule

OWNERSHIP	Species							TOTAL VOLUME
	DOUGLAS-FIR	LARCH	TRUE FIRS	PONDEROSA PINE	OTHER PINES	OTHER CONIFERS	HARDWOODS	
NATIVE AMERICAN	0	0	0	0	0	0	0	0
FOREST INDUSTRY	0	0	0	0	0	0	0	0
PRIVATE LARGE	0	0	0	0	0	0	0	0
PRIVATE SMALL*	0	0	0	0	0	535	5	540
TOTAL PRIVATE*	0	0	0	0	0	535	5	540
STATE	0	0	0	0	0	0	0	0
OTHER NON-FEDERAL	0	0	0	0	0	0	0	0
NATIONAL FOREST	0	0	0	0	0	0	0	0
OTHER FEDERAL	0	0	0	0	0	0	0	0
TOTAL PUBLIC	0	0	0	0	0	0	0	0
TOTAL ALL OWNERS*	0	0	0	0	0	535	5	540

*PRIVATE SMALL harvests by species are often reported in the appropriate category as either OTHER CONIFERS or OTHER HARDWOODS. See Page 3 for an explanation.

Eastern Washington

Timber Harvest **Yakima County - 2001**

Thousand board feet, Scribner rule

OWNERSHIP	Species							TOTAL VOLUME
	DOUGLAS-FIR	LARCH	TRUE FIRS	PONDEROSA PINE	OTHER PINES	OTHER CONIFERS	HARDWOODS	
NATIVE AMERICAN	55,290	3,360	86,983	51,358	6,397	520	0	203,908
FOREST INDUSTRY	2,875	0	957	4,934	189	962	0	9,917
PRIVATE LARGE	1	0	538	0	1,175	373	0	2,087
PRIVATE SMALL*	717	0	690	588	416	701	215	3,327
TOTAL PRIVATE*	58,883	3,360	89,168	56,880	8,177	2,556	215	219,239
STATE	440	0	852	1,456	0	0	0	2,748
OTHER NON-FEDERAL	0	0	0	0	0	0	0	0
NATIONAL FOREST	3,637	0	627	1,158	0	181	0	5,603
OTHER FEDERAL	0	0	0	0	0	0	0	0
TOTAL PUBLIC	4,077	0	1,479	2,614	0	181	0	8,351
TOTAL ALL OWNERS*	62,960	3,360	90,647	59,494	8,177	2,737	215	227,590

*PRIVATE SMALL harvests by species are often reported in the appropriate category as either OTHER CONIFERS or OTHER HARDWOODS. See Page 3 for an explanation.

Eastern Washington

Timber Harvest **Eastside Summary - 2001**

Thousand board feet, Scribner rule

OWNERSHIP	Species							TOTAL VOLUME
	DOUGLAS-FIR	LARCH	TRUE FIRS	PONDEROSA PINE	OTHER PINES	OTHER CONIFERS	HARDWOODS	
NATIVE AMERICAN	96,362	9,650	94,834	75,304	18,722	3,173	0	298,045
FOREST INDUSTRY	85,428	38	21,855	31,139	4,332	22,527	9	165,328
PRIVATE LARGE	53,685	0	14,135	15,025	5,750	16,501	69	105,165
PRIVATE SMALL*	44,224	39	10,060	14,132	2,038	80,538	19,614	170,645
TOTAL PRIVATE*	279,699	9,727	140,884	135,600	30,842	122,739	19,692	739,183
STATE	33,620	0	10,629	24,910	1,378	2,491	0	73,028
OTHER NON-FEDERAL	0	0	0	4	2	0	0	6
NATIONAL FOREST	24,027	1,964	7,230	6,155	14,703	7,253	0	61,332
OTHER FEDERAL	83	0	26	288	202	0	0	599
TOTAL PUBLIC	57,730	1,964	17,885	31,357	16,285	9,744	0	134,965
TOTAL ALL OWNERS*	337,429	11,691	158,769	166,957	47,127	132,483	19,692	874,148

*PRIVATE SMALL harvests by species are often reported in the appropriate category as either OTHER CONIFERS or OTHER HARDWOODS. See Page 3 for an explanation.

Western Washington

Timber Harvest Clallam County - 2001

Thousand board feet, Scribner rule

OWNERSHIP	Species							TOTAL VOLUME
	DOUGLAS-FIR	WESTERN HEMLOCK	TRUE FIRS	CEDARS	OTHER CONIFERS	RED ALDER	OTHER HARDWOODS	
NATIVE AMERICAN	74	1,378	12	0	94	601	0	2,159
FOREST INDUSTRY	11,083	60,088	0	2,161	9,197	6,357	6	88,892
PRIVATE LARGE	9,444	28,724	0	1,480	7,336	5,946	118	53,048
PRIVATE SMALL*	2,943	14,225	0	429	10,033	1,598	18,525	47,753
TOTAL PRIVATE*	23,544	104,415	12	4,070	26,660	14,502	18,649	191,852
STATE	9,433	18,167	1,747	1,048	1,747	2,795	0	34,937
OTHER NON-FEDERAL	3,330	0	0	0	0	0	0	3,330
NATIONAL FOREST	165	374	0	1	227	4	0	771
OTHER FEDERAL	0	0	0	0	0	0	0	0
TOTAL PUBLIC	12,928	18,541	1,747	1,049	1,974	2,799	0	39,038
TOTAL ALL OWNERS*	36,472	122,956	1,759	5,119	28,634	17,301	18,649	230,890

*PRIVATE SMALL harvests by species are often reported in the appropriate category as either OTHER CONIFERS or OTHER HARDWOODS. See Page 3 for an explanation.

Western Washington

Timber Harvest **Clark County - 2001**

Thousand board feet, Scribner rule

Species

OWNERSHIP	DOUGLAS-FIR	WESTERN HEMLOCK	TRUE FIRS	CEDARS	OTHER CONIFERS	RED ALDER	OTHER HARDWOODS	TOTAL VOLUME
NATIVE AMERICAN	0	0	0	0	0	0	0	0
FOREST INDUSTRY	14,789	3,882	0	28	2,321	342	15	21,377
PRIVATE LARGE	2,593	7	0	0	16	0	0	2,616
PRIVATE SMALL*	1,652	4	0	0	10,483	361	1,742	14,242
TOTAL PRIVATE*	19,034	3,893	0	28	12,820	703	1,757	38,235
STATE	15,026	313	0	0	0	313	0	15,652
OTHER NON-FEDERAL	0	0	0	0	0	0	0	0
NATIONAL FOREST	0	0	0	0	0	0	0	0
OTHER FEDERAL	0	0	0	0	0	0	0	0
TOTAL PUBLIC	15,026	313	0	0	0	313	0	15,652
TOTAL ALL OWNERS*	34,060	4,206	0	28	12,820	1,016	1,757	53,887

*PRIVATE SMALL harvests by species are often reported in the appropriate category as either OTHER CONIFERS or OTHER HARDWOODS. See Page 3 for an explanation.

Western Washington

Timber Harvest **Cowlitz County - 2001**

Thousand board feet, Scribner rule

Species

OWNERSHIP	DOUGLAS-FIR	WESTERN HEMLOCK	TRUE FIRS	CEDARS	OTHER CONIFERS	RED ALDER	OTHER HARDWOODS	TOTAL VOLUME
NATIVE AMERICAN	0	0	0	0	0	0	0	0
FOREST INDUSTRY	100,396	27,486	0	1,572	20,622	6,351	1,348	157,775
PRIVATE LARGE	28,015	2,926	0	281	2,512	2,427	856	37,017
PRIVATE SMALL*	3,293	115	0	73	9,995	516	792	14,784
TOTAL PRIVATE*	131,704	30,527	0	1,926	33,129	9,294	2,996	209,576
STATE	30,844	4,627	1,157	386	0	1,542	0	38,556
OTHER NON-FEDERAL	0	0	0	0	0	0	0	0
NATIONAL FOREST	0	0	0	0	0	0	0	0
OTHER FEDERAL	0	0	0	0	0	0	0	0
TOTAL PUBLIC	30,844	4,627	1,157	386	0	1,542	0	38,556
TOTAL ALL OWNERS*	162,548	35,154	1,157	2,312	33,129	10,836	2,996	248,132

*PRIVATE SMALL harvests by species are often reported in the appropriate category as either OTHER CONIFERS or OTHER HARDWOODS. See Page 3 for an explanation.

Western Washington

Timber Harvest **Grays Harbor County - 2001**

Thousand board feet, Scribner rule

OWNERSHIP	Species							TOTAL VOLUME
	DOUGLAS-FIR	WESTERN HEMLOCK	TRUE FIRS	CEDARS	OTHER CONIFERS	RED ALDER	OTHER HARDWOODS	
NATIVE AMERICAN	3,278	14,000	300	2,000	1,700	2,000	50	23,328
FOREST INDUSTRY	96,600	107,380	0	6,712	30,751	11,309	327	253,079
PRIVATE LARGE	13,576	37,020	0	2,808	6,615	1,012	22	61,053
PRIVATE SMALL*	20,341	28,520	0	1,507	11,524	1,009	1,709	64,610
TOTAL PRIVATE*	133,795	186,920	300	13,027	50,590	15,330	2,108	402,070
STATE	17,341	3,570	1,020	510	0	3,060	0	25,501
OTHER NON-FEDERAL	4,301	9,177	0	1,470	218	161	0	15,327
NATIONAL FOREST	80	319	0	0	0	0	0	399
OTHER FEDERAL	0	0	0	0	0	0	0	0
TOTAL PUBLIC	21,722	13,066	1,020	1,980	218	3,221	0	41,227
TOTAL ALL OWNERS*	155,517	199,986	1,320	15,007	50,808	18,551	2,108	443,297

*PRIVATE SMALL harvests by species are often reported in the appropriate category as either OTHER CONIFERS or OTHER HARDWOODS. See Page 3 for an explanation.

Western Washington

Timber Harvest **Island County - 2001**

Thousand board feet, Scribner rule

OWNERSHIP	Species							TOTAL VOLUME
	DOUGLAS-FIR	WESTERN HEMLOCK	TRUE FIRS	CEDARS	OTHER CONIFERS	RED ALDER	OTHER HARDWOODS	
NATIVE AMERICAN	0	0	0	0	0	0	0	0
FOREST INDUSTRY	0	0	0	0	0	0	0	0
PRIVATE LARGE	140	0	0	0	3	0	0	143
PRIVATE SMALL*	8	0	0	0	9,988	0	586	10,582
TOTAL PRIVATE*	148	0	0	0	9,991	0	586	10,725
STATE	0	0	0	0	0	0	0	0
OTHER NON-FEDERAL	0	0	0	0	0	0	0	0
NATIONAL FOREST	0	0	0	0	0	0	0	0
OTHER FEDERAL	0	0	0	0	0	0	0	0
TOTAL PUBLIC	0	0	0	0	0	0	0	0
TOTAL ALL OWNERS*	148	0	0	0	9,991	0	586	10,725

*PRIVATE SMALL harvests by species are often reported in the appropriate category as either OTHER CONIFERS or OTHER HARDWOODS. See Page 3 for an explanation.

Western Washington

Timber Harvest **Jefferson County - 2001**

Thousand board feet, Scribner rule

OWNERSHIP	Species							TOTAL VOLUME
	DOUGLAS-FIR	WESTERN HEMLOCK	TRUE FIRS	CEDARS	OTHER CONIFERS	RED ALDER	OTHER HARDWOODS	
NATIVE AMERICAN	0	0	0	0	0	0	0	0
FOREST INDUSTRY	8,483	4,777	0	366	1,743	495	27	15,891
PRIVATE LARGE	8,211	9,973	0	1,571	6,059	1,302	383	27,499
PRIVATE SMALL*	812	182	0	1,073	4,202	184	577	7,030
TOTAL PRIVATE*	17,506	14,932	0	3,010	12,004	1,981	987	50,420
STATE	10,280	457	0	457	0	228	0	11,422
OTHER NON-FEDERAL	0	0	0	0	0	0	0	0
NATIONAL FOREST	0	0	0	0	0	0	0	0
OTHER FEDERAL	0	0	0	0	0	0	0	0
TOTAL PUBLIC	10,280	457	0	457	0	228	0	11,422
TOTAL ALL OWNERS*	27,786	15,389	0	3,467	12,004	2,209	987	61,842

*PRIVATE SMALL harvests by species are often reported in the appropriate category as either OTHER CONIFERS or OTHER HARDWOODS. See Page 3 for an explanation.

Western Washington

Timber Harvest **King County - 2001**

Thousand board feet, Scribner rule

OWNERSHIP	Species							TOTAL VOLUME
	DOUGLAS-FIR	WESTERN HEMLOCK	TRUE FIRS	CEDARS	OTHER CONIFERS	RED ALDER	OTHER HARDWOODS	
NATIVE AMERICAN	0	0	0	0	0	0	0	0
FOREST INDUSTRY	35,123	44,513	0	686	10,155	2,197	519	93,193
PRIVATE LARGE	8,697	6,350	0	781	2,032	1,866	318	20,044
PRIVATE SMALL*	6,075	4,313	0	767	6,311	1,071	1,322	19,859
TOTAL PRIVATE*	49,895	55,176	0	2,234	18,498	5,134	2,159	133,096
STATE	6,260	1,537	1,098	549	0	1,098	439	10,981
OTHER NON-FEDERAL	0	0	0	0	0	0	0	0
NATIONAL FOREST	38	18	0	0	21	2	0	79
OTHER FEDERAL	0	0	0	0	0	0	0	0
TOTAL PUBLIC	6,298	1,555	1,098	549	21	1,100	439	11,060
TOTAL ALL OWNERS*	56,193	56,731	1,098	2,783	18,519	6,234	2,598	144,156

*PRIVATE SMALL harvests by species are often reported in the appropriate category as either OTHER CONIFERS or OTHER HARDWOODS. See Page 3 for an explanation.

Western Washington
Timber Harvest Kitsap County - 2001
 Thousand board feet, Scribner rule

OWNERSHIP	Species							TOTAL VOLUME
	DOUGLAS-FIR	WESTERN HEMLOCK	TRUE FIRS	CEDARS	OTHER CONIFERS	RED ALDER	OTHER HARDWOODS	
NATIVE AMERICAN	10	0	0	0	0	0	0	10
FOREST INDUSTRY	914	33	0	15	193	20	0	1,175
PRIVATE LARGE	657	12	0	5	100	13	0	787
PRIVATE SMALL*	8,103	283	0	127	4,880	334	910	14,637
TOTAL PRIVATE*	9,684	328	0	147	5,173	367	910	16,609
STATE	2,359	59	0	0	472	59	0	2,949
OTHER NON-FEDERAL	3,500	900	0	50	40	810	0	5,300
NATIONAL FOREST	0	0	0	0	0	0	0	0
OTHER FEDERAL	841	0	0	15	20	80	0	956
TOTAL PUBLIC	6,700	959	0	65	532	949	0	9,205
TOTAL ALL OWNERS*	16,384	1,287	0	212	5,705	1,316	910	25,814

*PRIVATE SMALL harvests by species are often reported in the appropriate category as either OTHER CONIFERS or OTHER HARDWOODS. See Page 3 for an explanation.

Western Washington

Timber Harvest **Lewis County - 2001**

Thousand board feet, Scribner rule

OWNERSHIP	Species							TOTAL VOLUME
	DOUGLAS-FIR	WESTERN HEMLOCK	TRUE FIRS	CEDARS	OTHER CONIFERS	RED ALDER	OTHER HARDWOODS	
NATIVE AMERICAN	0	0	0	0	0	0	0	0
FOREST INDUSTRY	162,731	57,951	0	3,641	28,655	14,357	2,410	269,745
PRIVATE LARGE	46,519	11,099	0	953	8,000	5,251	1,025	72,847
PRIVATE SMALL*	26,622	4,444	0	1,044	19,033	3,573	3,451	58,167
TOTAL PRIVATE*	235,872	73,494	0	5,638	55,688	23,181	6,886	400,759
STATE	31,857	1,124	0	0	0	3,748	750	37,479
OTHER NON-FEDERAL	0	0	0	0	0	0	0	0
NATIONAL FOREST	2,147	571	33	1	128	0	0	2,880
OTHER FEDERAL	0	0	0	0	0	0	0	0
TOTAL PUBLIC	34,004	1,695	33	1	128	3,748	750	40,359
TOTAL ALL OWNERS*	269,876	75,189	33	5,639	55,816	26,929	7,636	441,118

*PRIVATE SMALL harvests by species are often reported in the appropriate category as either OTHER CONIFERS or OTHER HARDWOODS. See Page 3 for an explanation.

Western Washington

Timber Harvest **Mason County - 2001**

Thousand board feet, Scribner rule

OWNERSHIP	Species							TOTAL VOLUME
	DOUGLAS-FIR	WESTERN HEMLOCK	TRUE FIRS	CEDARS	OTHER CONIFERS	RED ALDER	OTHER HARDWOODS	
NATIVE AMERICAN	0	0	0	0	0	0	0	0
FOREST INDUSTRY	64,316	3,493	0	1,535	8,171	1,151	197	78,863
PRIVATE LARGE	16,469	750	0	596	1,545	335	33	19,728
PRIVATE SMALL*	20,698	1,246	0	487	7,102	371	3,009	32,913
TOTAL PRIVATE*	101,483	5,489	0	2,618	16,818	1,857	3,239	131,504
STATE	10,604	1,010	252	505	126	126	0	12,623
OTHER NON-FEDERAL	0	0	0	0	0	0	0	0
NATIONAL FOREST	188	49	0	0	0	0	0	237
OTHER FEDERAL	0	0	0	0	0	0	0	0
TOTAL PUBLIC	10,792	1,059	252	505	126	126	0	12,860
TOTAL ALL OWNERS*	112,275	6,548	252	3,123	16,944	1,983	3,239	144,364

*PRIVATE SMALL harvests by species are often reported in the appropriate category as either OTHER CONIFERS or OTHER HARDWOODS. See Page 3 for an explanation.

Western Washington
Timber Harvest Pacific County - 2001
 Thousand board feet, Scribner rule

OWNERSHIP	Species							TOTAL VOLUME
	DOUGLAS-FIR	WESTERN HEMLOCK	TRUE FIRS	CEDARS	OTHER CONIFERS	RED ALDER	OTHER HARDWOODS	
NATIVE AMERICAN	0	0	0	0	0	0	0	0
FOREST INDUSTRY	45,867	81,627	0	2,534	25,540	9,269	265	165,102
PRIVATE LARGE	14,597	39,990	0	818	9,564	1,972	3	66,944
PRIVATE SMALL*	893	4,017	0	179	9,724	1,056	1,921	17,790
TOTAL PRIVATE*	61,357	125,634	0	3,531	44,828	12,297	2,189	249,836
STATE	8,276	17,103	0	276	0	1,379	552	27,586
OTHER NON-FEDERAL	0	0	0	0	0	0	0	0
NATIONAL FOREST	0	0	0	0	0	0	0	0
OTHER FEDERAL	0	0	0	0	0	0	0	0
TOTAL PUBLIC	8,276	17,103	0	276	0	1,379	552	27,586
TOTAL ALL OWNERS*	69,633	142,737	0	3,807	44,828	13,676	2,741	277,422

*PRIVATE SMALL harvests by species are often reported in the appropriate category as either OTHER CONIFERS or OTHER HARDWOODS. See Page 3 for an explanation.

Western Washington

Timber Harvest **Pierce County - 2001**

Thousand board feet, Scribner rule

OWNERSHIP	Species							TOTAL VOLUME
	DOUGLAS-FIR	WESTERN HEMLOCK	TRUE FIRS	CEDARS	OTHER CONIFERS	RED ALDER	OTHER HARDWOODS	
NATIVE AMERICAN	0	0	0	0	0	0	0	0
FOREST INDUSTRY	48,442	47,754	0	1,650	14,151	4,020	1,548	117,565
PRIVATE LARGE	7,953	6,853	0	367	4,215	673	201	20,262
PRIVATE SMALL*	13,357	13,674	0	661	6,971	1,531	1,851	38,045
TOTAL PRIVATE*	69,752	68,281	0	2,678	25,337	6,224	3,600	175,872
STATE	14,632	892	892	178	0	892	357	17,843
OTHER NON-FEDERAL	20	0	0	0	0	0	0	20
NATIONAL FOREST	0	0	0	0	0	0	0	0
OTHER FEDERAL	6,376	0	0	0	0	0	0	6,376
TOTAL PUBLIC	21,028	892	892	178	0	892	357	24,239
TOTAL ALL OWNERS*	90,780	69,173	892	2,856	25,337	7,116	3,957	200,111

*PRIVATE SMALL harvests by species are often reported in the appropriate category as either OTHER CONIFERS or OTHER HARDWOODS. See Page 3 for an explanation.

Western Washington

Timber Harvest **San Juan County - 2001**

Thousand board feet, Scribner rule

OWNERSHIP	Species							TOTAL VOLUME
	DOUGLAS-FIR	WESTERN HEMLOCK	TRUE FIRS	CEDARS	OTHER CONIFERS	RED ALDER	OTHER HARDWOODS	
NATIVE AMERICAN	0	0	0	0	0	0	0	0
FOREST INDUSTRY	0	0	0	0	0	0	0	0
PRIVATE LARGE	0	0	0	0	0	0	0	0
PRIVATE SMALL*	12	0	0	0	729	0	991	1,732
TOTAL PRIVATE*	12	0	0	0	729	0	991	1,732
STATE	0	0	0	0	0	0	0	0
OTHER NON-FEDERAL	0	0	0	0	0	0	0	0
NATIONAL FOREST	0	0	0	0	0	0	0	0
OTHER FEDERAL	0	0	0	0	0	0	0	0
TOTAL PUBLIC	0	0	0	0	0	0	0	0
TOTAL ALL OWNERS*	12	0	0	0	729	0	991	1,732

*PRIVATE SMALL harvests by species are often reported in the appropriate category as either OTHER CONIFERS or OTHER HARDWOODS. See Page 3 for an explanation.

Western Washington

Timber Harvest **Skagit County - 2001**

Thousand board feet, Scribner rule

OWNERSHIP	Species							TOTAL VOLUME
	DOUGLAS-FIR	WESTERN HEMLOCK	TRUE FIRS	CEDARS	OTHER CONIFERS	RED ALDER	OTHER HARDWOODS	
NATIVE AMERICAN	114	74	0	82	0	9	204	483
FOREST INDUSTRY	10,150	11,720	0	3,704	6,353	4,094	771	36,792
PRIVATE LARGE	10,403	15,502	0	4,793	3,454	3,720	746	38,618
PRIVATE SMALL*	3,608	3,198	0	1,295	11,053	1,395	560	21,109
TOTAL PRIVATE*	24,275	30,494	0	9,874	20,860	9,218	2,281	97,002
STATE	12,788	2,790	2,325	1,860	0	3,023	465	23,251
OTHER NON-FEDERAL	1,220	0	0	350	0	0	0	1,570
NATIONAL FOREST	0	0	0	0	0	0	0	0
OTHER FEDERAL	0	0	0	0	0	0	0	0
TOTAL PUBLIC	14,008	2,790	2,325	2,210	0	3,023	465	24,821
TOTAL ALL OWNERS*	38,283	33,284	2,325	12,084	20,860	12,241	2,746	121,823

*PRIVATE SMALL harvests by species are often reported in the appropriate category as either OTHER CONIFERS or OTHER HARDWOODS. See Page 3 for an explanation.

Western Washington

Timber Harvest **Skamania County - 2001**

Thousand board feet, Scribner rule

OWNERSHIP	Species							TOTAL VOLUME
	DOUGLAS-FIR	WESTERN HEMLOCK	TRUE FIRS	CEDARS	OTHER CONIFERS	RED ALDER	OTHER HARDWOODS	
NATIVE AMERICAN	0	0	0	0	0	0	0	0
FOREST INDUSTRY	4,099	590	0	45	255	10	31	5,030
PRIVATE LARGE	9,085	1,675	0	66	977	101	66	11,970
PRIVATE SMALL*	2,512	361	0	28	1,928	31	177	5,037
TOTAL PRIVATE*	15,696	2,626	0	139	3,160	142	274	22,037
STATE	7,723	0	166	0	0	415	0	8,304
OTHER NON-FEDERAL	0	0	0	0	0	0	0	0
NATIONAL FOREST	1,016	1	0	0	42	0	0	1,059
OTHER FEDERAL	0	0	0	0	0	0	0	0
TOTAL PUBLIC	8,739	1	166	0	42	415	0	9,363
TOTAL ALL OWNERS*	24,435	2,627	166	139	3,202	557	274	31,400

*PRIVATE SMALL harvests by species are often reported in the appropriate category as either OTHER CONIFERS or OTHER HARDWOODS. See Page 3 for an explanation.

Western Washington
Timber Harvest Snohomish County - 2001
 Thousand board feet, Scribner rule

OWNERSHIP	Species							TOTAL VOLUME
	DOUGLAS-FIR	WESTERN HEMLOCK	TRUE FIRS	CEDARS	OTHER CONIFERS	RED ALDER	OTHER HARDWOODS	
NATIVE AMERICAN	64	24	0	65	0	27	58	238
FOREST INDUSTRY	7,238	9,055	0	2,171	2,204	1,970	895	23,533
PRIVATE LARGE	6,526	17,293	0	1,448	2,621	1,679	202	29,769
PRIVATE SMALL*	2,890	1,929	0	655	9,780	1,162	756	17,172
TOTAL PRIVATE*	16,718	28,301	0	4,339	14,605	4,838	1,911	70,712
STATE	23,070	13,040	5,015	0	3,009	5,015	1,003	50,152
OTHER NON-FEDERAL	3	58	0	65	0	86	66	278
NATIONAL FOREST	341	684	0	40	136	74	0	1,275
OTHER FEDERAL	0	0	0	0	0	0	0	0
TOTAL PUBLIC	23,414	13,782	5,015	105	3,145	5,175	1,069	51,705
TOTAL ALL OWNERS*	40,132	42,083	5,015	4,444	17,750	10,013	2,980	122,417

*PRIVATE SMALL harvests by species are often reported in the appropriate category as either OTHER CONIFERS or OTHER HARDWOODS. See Page 3 for an explanation.

Western Washington

Timber Harvest **Thurston County - 2001**

Thousand board feet, Scribner rule

OWNERSHIP	Species							TOTAL VOLUME
	DOUGLAS-FIR	WESTERN HEMLOCK	TRUE FIRS	CEDARS	OTHER CONIFERS	RED ALDER	OTHER HARDWOODS	
NATIVE AMERICAN	0	0	0	0	0	0	0	0
FOREST INDUSTRY	23,584	3,327	0	908	4,080	1,292	261	33,452
PRIVATE LARGE	6,566	302	0	285	788	388	41	8,370
PRIVATE SMALL*	3,268	444	0	116	8,208	127	1,781	13,944
TOTAL PRIVATE*	33,418	4,073	0	1,309	13,076	1,807	2,083	55,766
STATE	43,120	1,470	0	490	0	2,940	980	49,000
OTHER NON-FEDERAL	0	0	0	0	0	0	0	0
NATIONAL FOREST	0	0	0	0	0	0	0	0
OTHER FEDERAL	2,605	0	0	0	0	0	0	2,605
TOTAL PUBLIC	45,725	1,470	0	490	0	2,940	980	51,605
TOTAL ALL OWNERS*	79,143	5,543	0	1,799	13,076	4,747	3,063	107,371

*PRIVATE SMALL harvests by species are often reported in the appropriate category as either OTHER CONIFERS or OTHER HARDWOODS. See Page 3 for an explanation.

Western Washington

Timber Harvest **Wahkiakum County - 2001**

Thousand board feet, Scribner rule

OWNERSHIP	Species							TOTAL VOLUME
	DOUGLAS-FIR	WESTERN HEMLOCK	TRUE FIRS	CEDARS	OTHER CONIFERS	RED ALDER	OTHER HARDWOODS	
NATIVE AMERICAN	0	0	0	0	0	0	0	0
FOREST INDUSTRY	1,961	4,212	0	30	561	200	0	6,964
PRIVATE LARGE	12,496	43,007	0	377	8,279	2,582	5	66,746
PRIVATE SMALL*	68	108	0	2	2,618	249	549	3,594
TOTAL PRIVATE*	14,525	47,327	0	409	11,458	3,031	554	77,304
STATE	5,748	13,028	0	0	0	383	0	19,159
OTHER NON-FEDERAL	0	0	0	0	0	0	0	0
NATIONAL FOREST	0	0	0	0	0	0	0	0
OTHER FEDERAL	0	0	0	0	0	0	0	0
TOTAL PUBLIC	5,748	13,028	0	0	0	383	0	19,159
TOTAL ALL OWNERS*	20,273	60,355	0	409	11,458	3,414	554	96,463

*PRIVATE SMALL harvests by species are often reported in the appropriate category as either OTHER CONIFERS or OTHER HARDWOODS. See Page 3 for an explanation.

Western Washington

Timber Harvest **Whatcom County - 2001**

Thousand board feet, Scribner rule

Species

OWNERSHIP	Species							TOTAL VOLUME
	DOUGLAS-FIR	WESTERN HEMLOCK	TRUE FIRS	CEDARS	OTHER CONIFERS	RED ALDER	OTHER HARDWOODS	
NATIVE AMERICAN	0	0	0	0	0	41	0	41
FOREST INDUSTRY	5,810	3,883	0	1,085	2,794	789	459	14,820
PRIVATE LARGE	3,825	2,543	0	1,019	704	828	121	9,040
PRIVATE SMALL*	4,400	2,959	0	713	7,948	521	802	17,343
TOTAL PRIVATE*	14,035	9,385	0	2,817	11,446	2,179	1,382	41,244
STATE	24,453	5,643	1,129	2,257	0	3,386	752	37,620
OTHER NON-FEDERAL	0	0	0	0	0	0	0	0
NATIONAL FOREST	0	0	0	0	0	0	0	0
OTHER FEDERAL	0	0	0	0	0	0	0	0
TOTAL PUBLIC	24,453	5,643	1,129	2,257	0	3,386	752	37,620
TOTAL ALL OWNERS*	38,488	15,028	1,129	5,074	11,446	5,565	2,134	78,864

*PRIVATE SMALL harvests by species are often reported in the appropriate category as either OTHER CONIFERS or OTHER HARDWOODS. See Page 3 for an explanation.

Western Washington
Timber Harvest Westside Summary - 2001
 Thousand board feet, Scribner rule

OWNERSHIP	Species							TOTAL VOLUME
	DOUGLAS-FIR	WESTERN HEMLOCK	TRUE FIRS	CEDARS	OTHER CONIFERS	RED ALDER	OTHER HARDWOODS	
NATIVE AMERICAN	3,540	15,476	312	2,147	1,794	2,678	312	26,259
FOREST INDUSTRY	641,586	471,771	0	28,843	167,746	64,223	9,079	1,383,248
PRIVATE LARGE	205,772	224,026	0	17,648	64,820	30,095	4,140	546,501
PRIVATE SMALL*	121,555	80,022	0	9,156	152,510	15,089	42,011	420,343
TOTAL PRIVATE*	972,453	791,295	312	57,794	386,870	112,085	55,542	2,376,351
STATE	273,814	84,830	14,801	8,516	5,354	30,402	5,298	423,015
OTHER NON-FEDERAL	12,374	10,135	0	1,935	258	1,057	66	25,825
NATIONAL FOREST	3,975	2,016	33	42	554	80	0	6,700
OTHER FEDERAL	9,822	0	0	15	20	80	0	9,937
TOTAL PUBLIC	299,985	96,981	14,834	10,508	6,186	31,619	5,364	465,477
TOTAL ALL OWNERS*	1,272,438	888,276	15,146	68,302	393,056	143,704	60,906	2,841,828

*PRIVATE SMALL harvests by species are often reported in the appropriate category as either OTHER CONIFERS or OTHER HARDWOODS. See Page 3 for an explanation.



