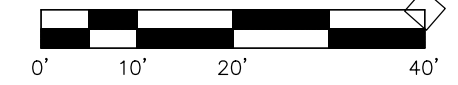


PLAN

SCALE: 1" = 20'



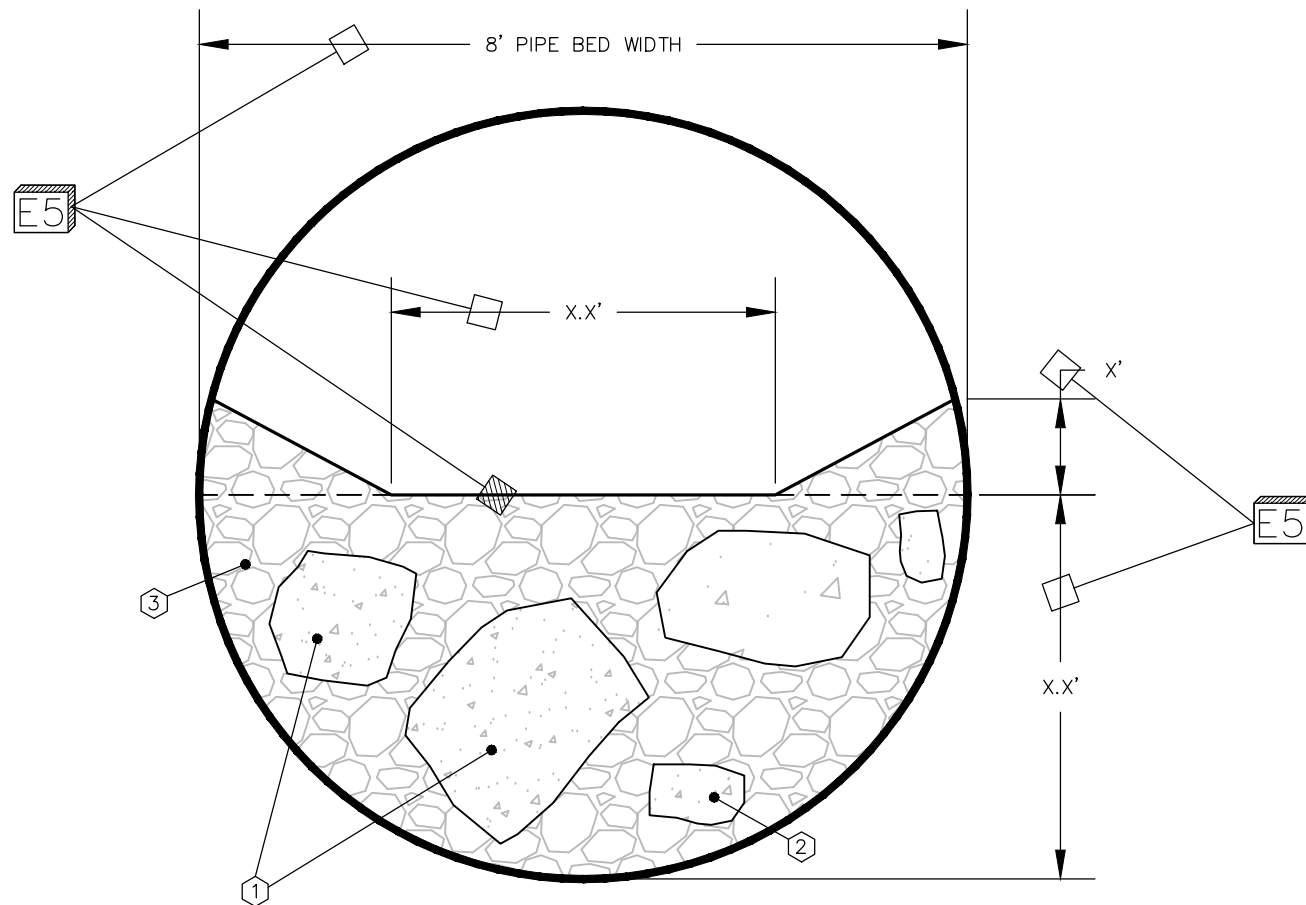
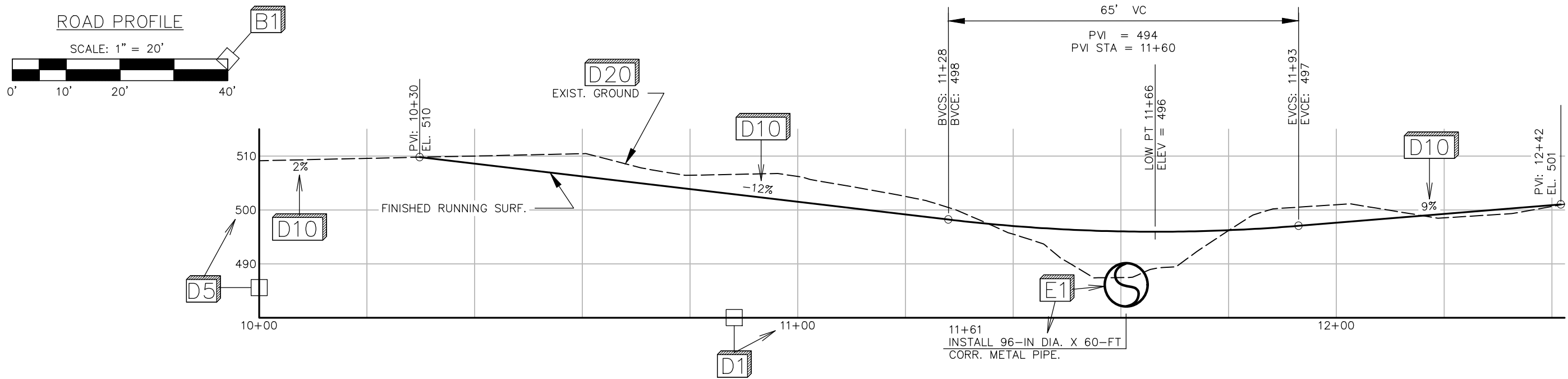
STREAM SIMULATION CULVERT EXAMPLE
NOVEMBER 1, 2017. DNR FOREST PRACTICES DIVISION

BY	DATE	REVISIONS
X	XX	XX/XX/XX
		XXXX XXXXXXXXXXXXXXXX

DRAWING TITLE: SITE PLAN
 LANDOWNER: XXXXXXXXXXXX

SEC. TOWNSHIP RANGE: SEC. XX TXN RXW
 LAT & LONG: NXX.XXXX' WXXX.XXXX'
 DATE: X/XX/XX

SHEET
1
OF
3

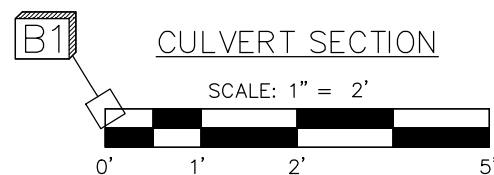


STREAMBED MATERIAL TABLE

PERCENTAGES ARE BY WEIGHT OF TOTAL MIX. PIECE SHAPE SHALL BE ANGULAR OR SUBANGULAR (NOT ROUNDED) FOR ITEMS 1 AND 2.

FOR MATERIAL GRADATION, SEE STANDARD SPECIFICATIONS FOR ROAD, BRIDGE, AND MUNICIPAL CONSTRUCTION 2016, AVAILABLE AT www.wsdot.wa.gov/Publications/Manuals/M41-10.htm.

- ① 20% ONE-MAN ROCK PER WA DOT 9-03.11(3).
- ② 30% 12-INCH COBBLES PER WA DOT 9-03.11(2).
- ③ 50% STREAMBED SEDIMENT PER WA DOT 9-03.11(1).



SEE STREAMBED MATERIAL TABLE THIS PAGE FOR DETAILS.

STREAM SIMULATION CULVERT EXAMPLE
NOVEMBER 1, 2017. DNR FOREST PRACTICES DIVISION

BY	DATE	REVISIONS
X	XX	XX/XX/XX XXXX XXXXXXXXXXXXXXXX.

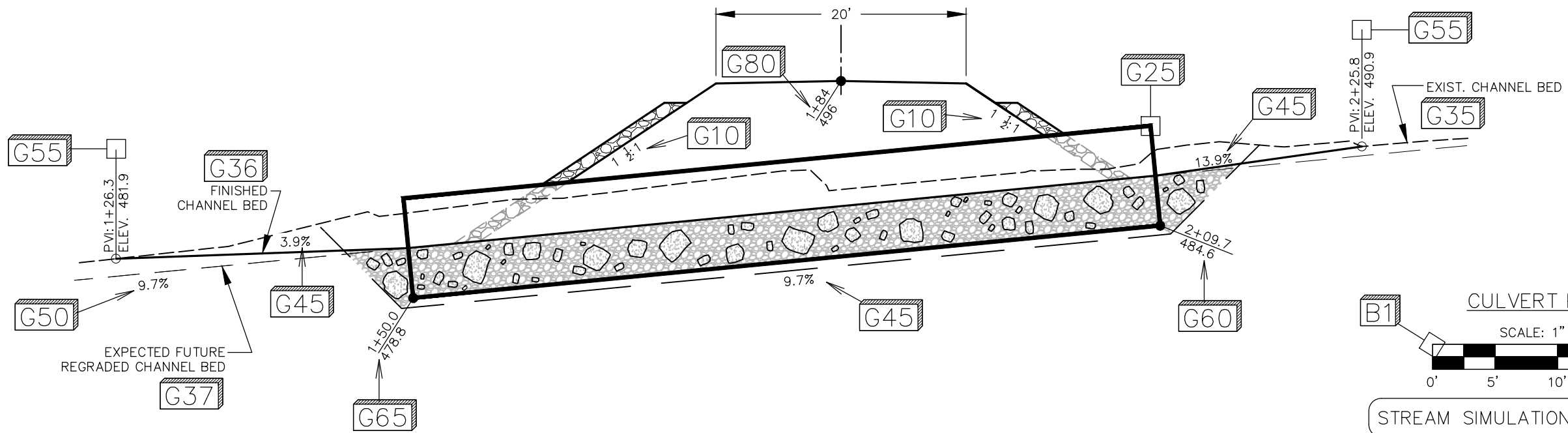
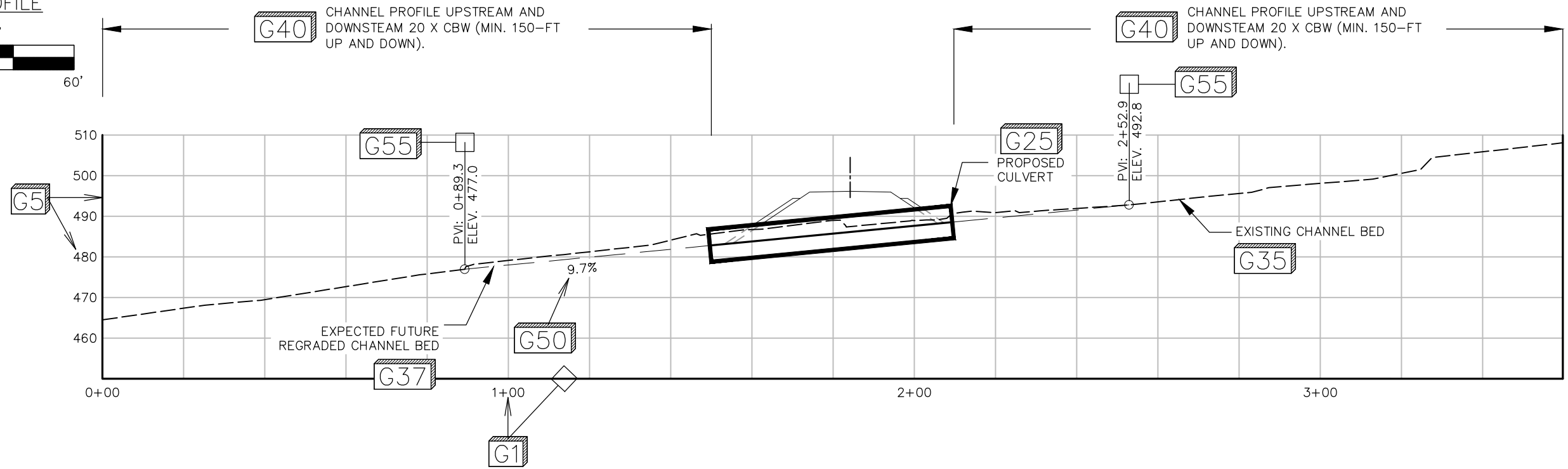
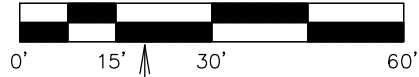
DRAWING TITLE: ROAD PROFILE
LANDOWNER: XXXXXXXXXXXX

DATE: X/XX/XX

SHEET 2 OF 3

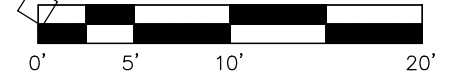
CHANNEL PROFILE

SCALE: 1" = 30'



CULVERT PROFILE

SCALE: 1" = 10'



STREAM SIMULATION CULVERT EXAMPLE

NOVEMBER 1, 2017. DNR FOREST PRACTICES DIVISION

BY	DATE	REVISIONS
X	XX	XX/XX/XX
		XXXX XXXXXXXXXXXXXXXX.

DRAWING TITLE: CHANNEL PROFILE B5
 LANDOWNER: XXXXXXXXXXXXX B10

DATE: X/XX/XX B20 B35

SHEET
3
OF
3